

4) NOTE : ALL DC VOLTAGES APPLIED WITH NO SIGNAL.  
 TEST POINT CONDITIONS: 500Hz INPUT  
 ALL CONTROLS @ ' 5 ' - 120V LINE - 16 OHM

CAUTION:  
 THIS SCHEMATIC IS PROVIDED FOR USE BY QUALIFIED PERSONNEL.  
 TO AVOID RISK OF ELECTRIC SHOCK, REFER SERVICING TO QUALIFIED  
 SERVICE PERSONNEL. DO NOT PERFORM ANY SERVICING BEYOND  
 THAT EXPLAINED IN THE OPERATING INSTRUCTIONS.

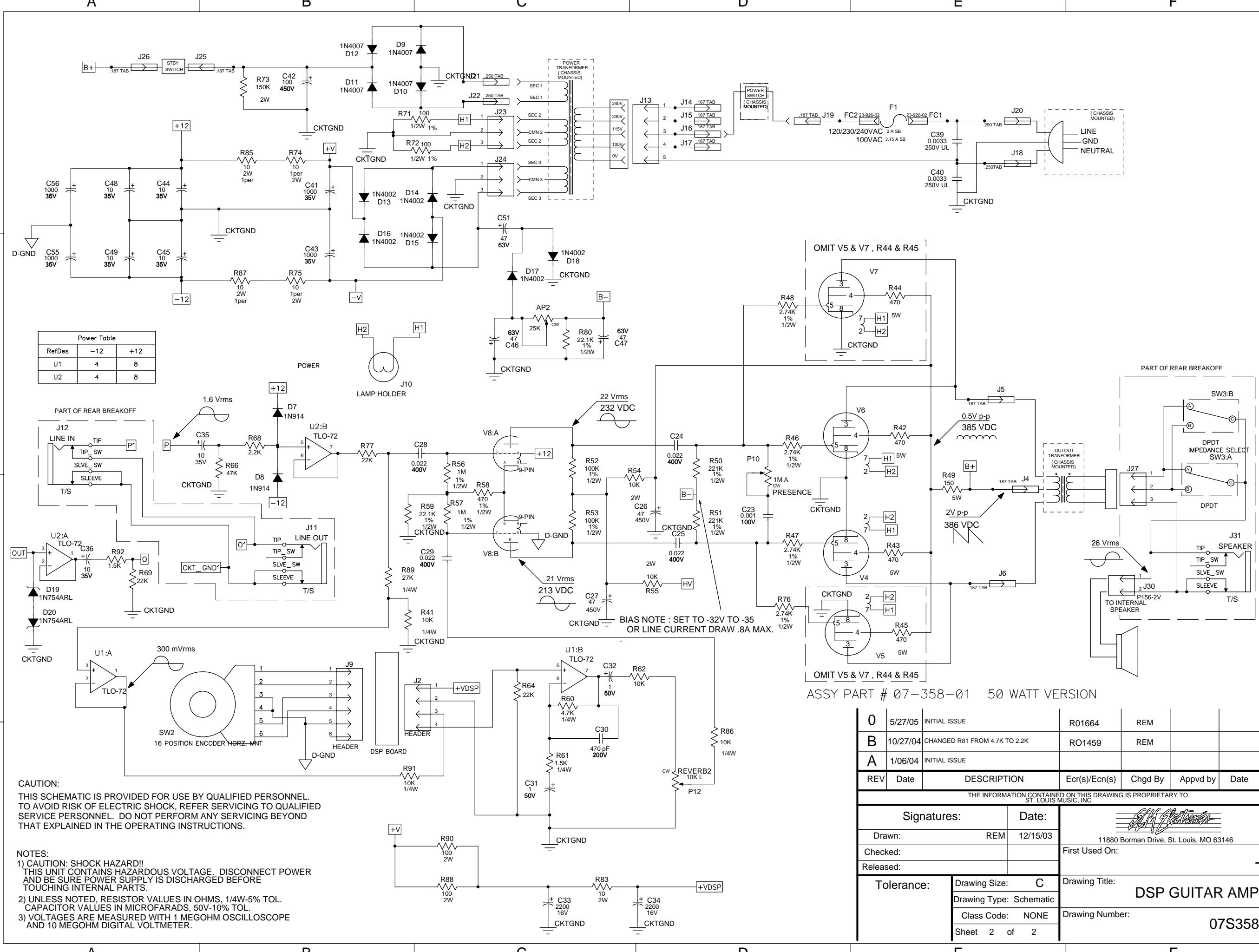
NOTES:  
 1) CAUTION: SHOCK HAZARD!!  
 THIS UNIT CONTAINS HAZARDOUS VOLTAGE. DISCONNECT POWER  
 AND BE SURE POWER SUPPLY IS DISCHARGED BEFORE  
 TOUCHING INTERNAL PARTS.  
 2) UNLESS NOTED, RESISTOR VALUES IN OHMS, 1/4W-5% TOL.  
 CAPACITOR VALUES IN MICROFARADS, 50V-10% TOL.  
 3) VOLTAGES ARE MEASURED WITH 1 MEGOHM OSCILLOSCOPE  
 AND 10 MEGOHM DIGITAL VOLTMETER.

SWITCH LINE VOLTAGES			
	S	S'	D
CLEAN	0	-10 VDC	0
DIRTY	-10 VDC	0	2.8 VDC

0	5/27/05	INITIAL ISSUE	R01664	REM		
B	10/27/04	CHANGED R81 FROM 4.7K TO 2.2K	RO1459	REM		
A	1/06/04	INITIAL ISSUE				
REV	Date	DESCRIPTION	Ecr(s)/Ecn(s)	Chgd By	Appvd by	Date

THE INFORMATION CONTAINED ON THIS DRAWING IS PROPRIETARY TO ST. LOUIS MUSIC, INC						
Signatures:		Date:		 11880 Borman Drive, St. Louis, MO 63146 First Used On: _____ Drawing Title: <b>DSP GUITAR AMP</b> Drawing Number: <b>07S358</b>		
Drawn:	REM	12/15/03				
Checked:						
Released:						
Tolerance:	Drawing Size: C	Drawing Title:		Drawing Number: <b>07S358</b>		
	Drawing Type: Schematic					
	Class Code: NONE					
Sheet 1 of 2						

ASSY P/N 07-358-01



**Power Table**

RefDes	-12	+12
U1	4	8
U2	4	8

**CAUTION:**  
 THIS SCHEMATIC IS PROVIDED FOR USE BY QUALIFIED PERSONNEL. TO AVOID RISK OF ELECTRIC SHOCK, REFER SERVICING TO QUALIFIED SERVICE PERSONNEL. DO NOT PERFORM ANY SERVICING BEYOND THAT EXPLAINED IN THE OPERATING INSTRUCTIONS.

- NOTES:**
- 1) CAUTION: SHOCK HAZARD!! THIS UNIT CONTAINS HAZARDOUS VOLTAGE. DISCONNECT POWER AND BE SURE POWER SUPPLY IS DISCHARGED BEFORE TOUCHING INTERNAL PARTS.
  - 2) UNLESS NOTED, RESISTOR VALUES IN OHMS, 1/4W-5% TOL. CAPACITOR VALUES IN MICROFARADS, 50V-10% TOL.
  - 3) VOLTAGES ARE MEASURED WITH 1 MEGOHM OSCILLOSCOPE AND 10 MEGOHM DIGITAL VOLTMETER.

ASSY PART # 07-358-01 50 WATT VERSION

0	5/27/05	INITIAL ISSUE	R01664	REM		
B	10/27/04	CHANGED R81 FROM 4.7K TO 2.2K	RO1459	REM		
A	1/06/04	INITIAL ISSUE				
REV	Date	DESCRIPTION	Ecr(s)/Ecn(s)	Chgd By	Appvd by	Date
THE INFORMATION CONTAINED ON THIS DRAWING IS PROPRIETARY TO ST. LOUIS MUSIC, INC.						
<b>Signatures:</b>		<b>Date:</b>		 11880 Borman Drive, St. Louis, MO 63146		
Drawn: REM		12/15/03				
Checked:						
Released:						
<b>Tolerance:</b>		<b>Drawing Size:</b> C		<b>Drawing Title:</b> DSP GUITAR AMP		
		<b>Drawing Type:</b> Schematic		<b>Drawing Number:</b> 07S358		
		<b>Class Code:</b> NONE				
		<b>Sheet 2 of 2</b>				