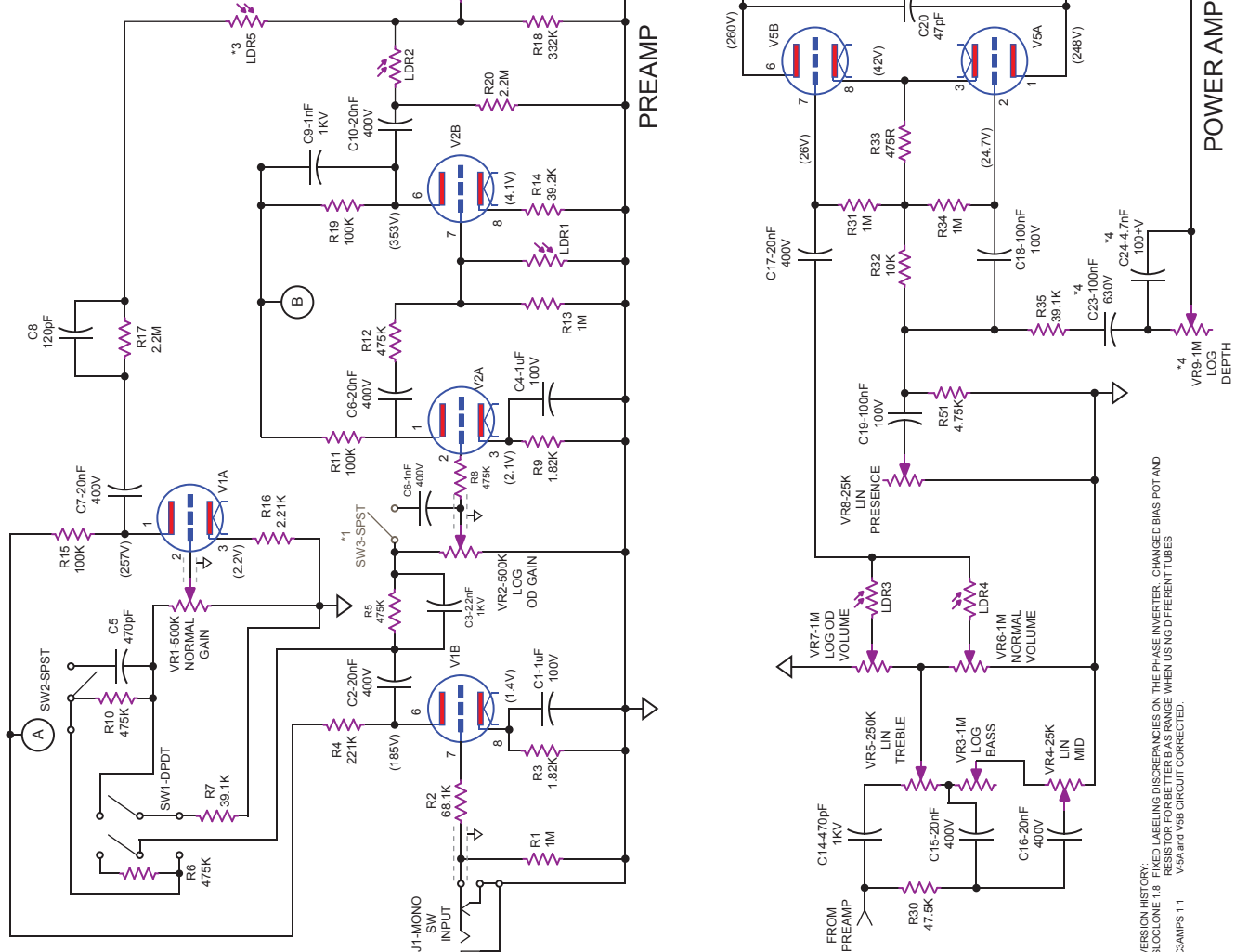


NOT AFFILIATED IN ANY WAY WITH SOLDANO CUSTOM AMPLIFICATION®. MICHAEL SOLDANO JR. OR SUPER LEAD 100 OVERDRIVE™.



- *NOTES**
1. INSTALL OPTIONAL SWITCH 3 FOR 'WARREN HAYNES' MOD.
 2. INSTALL C19 AND R50 TO REDUCE SEND LEVEL TO 0dB.
 3. INSTALL LDR5 TO DECREASE BLEED FROM THE CLEAN/CRUNCH CHANNEL INTO THE OD CHANNEL.
 4. INSTALL C23, C24, AND VR9 FOR THE 'DEPTH' MOD.
 5. INSTALL R48 AND R49 FOR BIAS MEASUREMENT (1% OR BETTER).
 6. INCREASE R44 - R47 TO 1K-5W WHEN USING KT66 OR EL34 TUBES (60 WATT VERSIONS OMIT R45 AND R47).
 7. INCREASE R40 - R43 TO 5.6K IF OSCILLATING WHILE USING KT66 OR EL34 TUBES (60 WATT VERSIONS OMIT R41 AND R43).
 8. GROUND BOTH ENDS OF THE FX SEND WIRE. THIS IS THE GROUND WIRE FOR THE FX LOOP JACKS.

VERSION HISTORY:
 SLO100E 1.8 FIXED LABELING DISCREPANCIES ON THE PHASE INVERTER, CHANGED BIAS POT AND RESISTOR FOR BETTER BIAS RANGE WHEN USING DIFFERENT TUBES
 C3AMPS 1.1
 *V3 and V5B CIRCUIT CORRECTED.