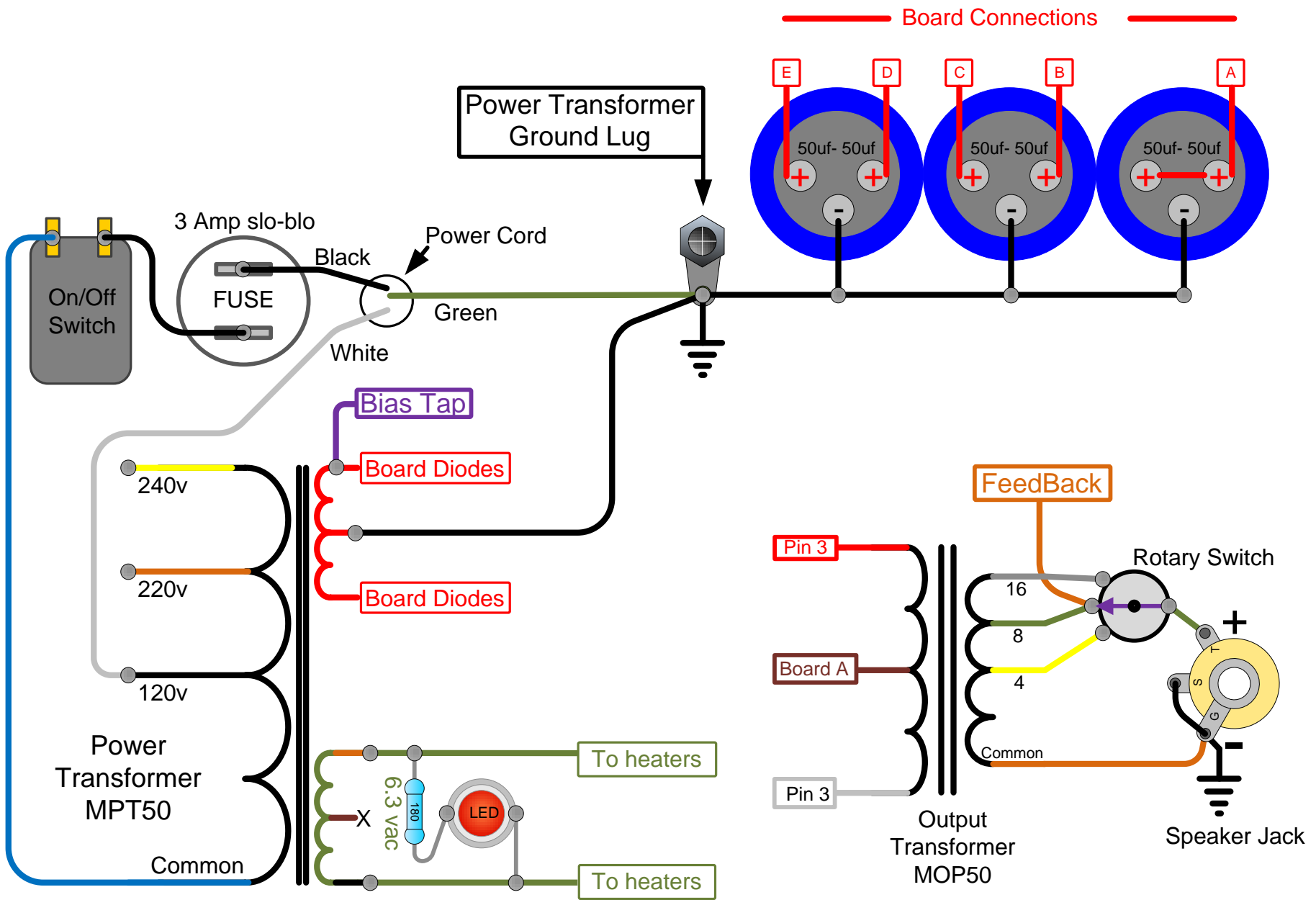


Hoffman Amplifiers Plexi50  
[www.hoffmanamps.com](http://www.hoffmanamps.com)

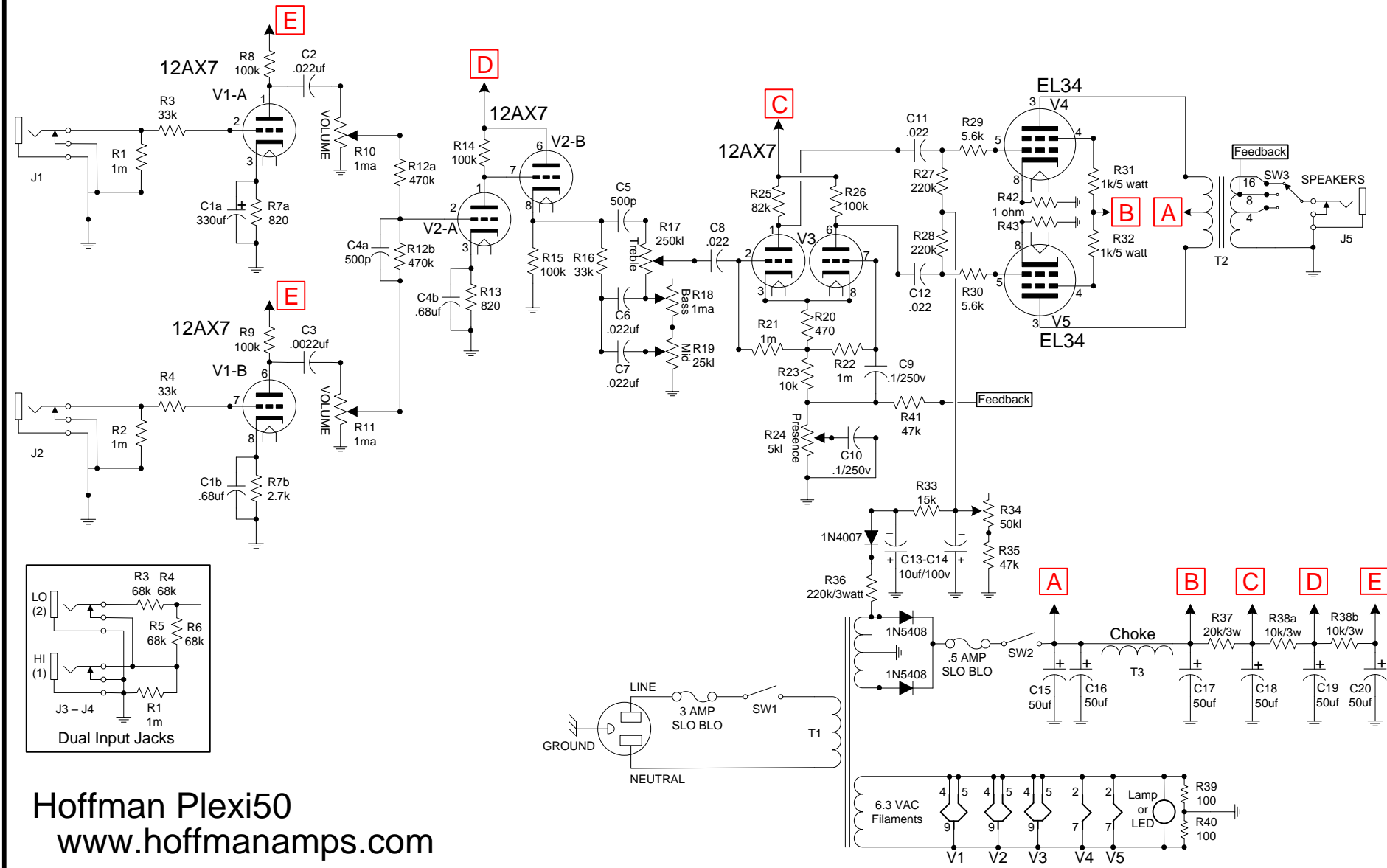
3.125" x 11.25"



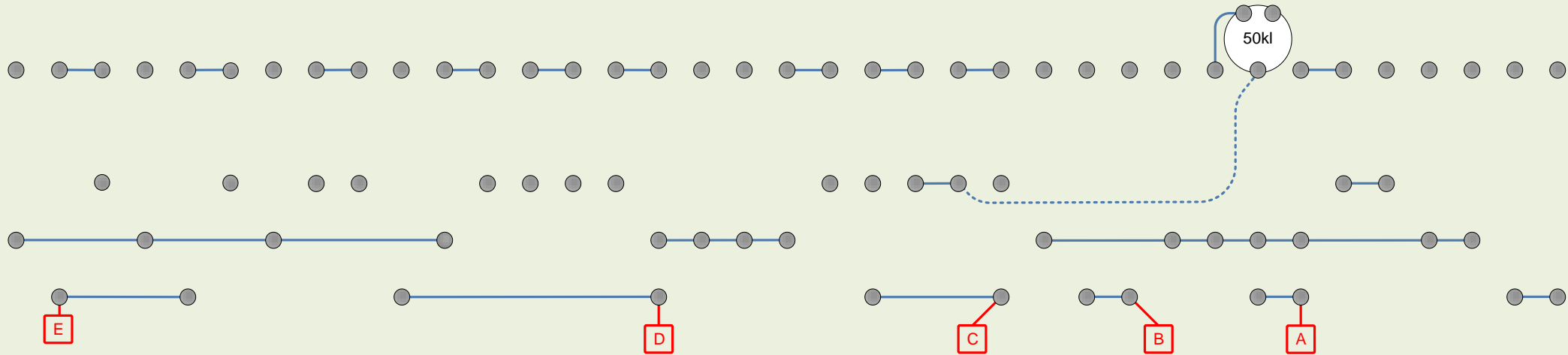
Clickable Links

- [Hoffman Amplifiers parts catalog](#)
- [EL34 World Tube amp Library page](#)
- [Hoffman Layout diagram hookup information](#)

Hoffman Plexi 50  
[www.hoffmanamps.com](http://www.hoffmanamps.com)



Hoffman Plexi50  
[www.hoffmanamps.com](http://www.hoffmanamps.com)



Hoffman Amplifiers Plexi50

[www.hoffmanamps.com](http://www.hoffmanamps.com)

www.hoffmanamps.com

