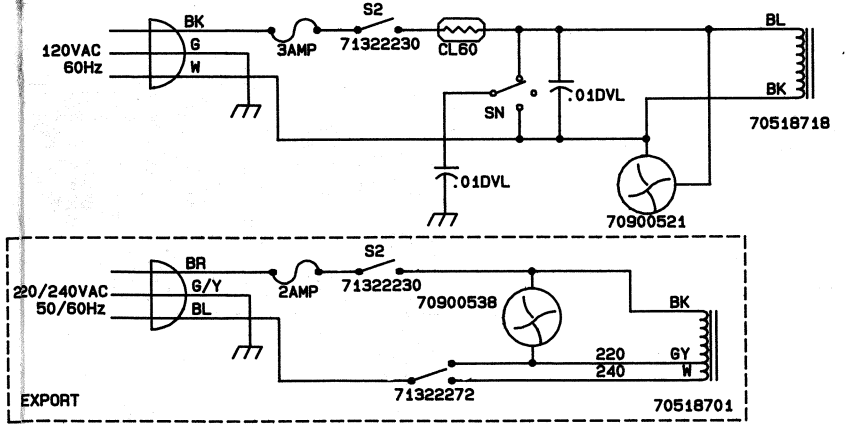
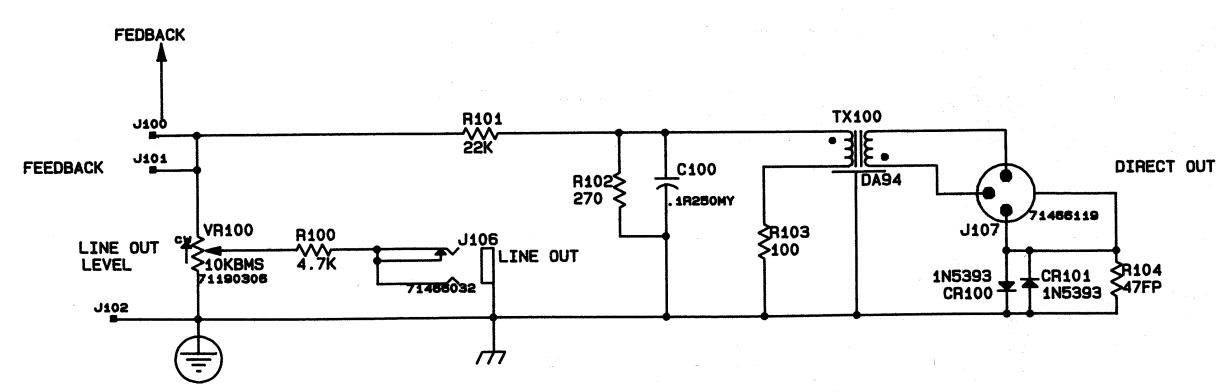


NOTES:  
 ALL RESISTORS 1/4W UNLESS NOTED  
 ALL RESISTORS IN OHMS UNLESS NOTED  
 ALL POTS ARE LINEAR UNLESS NOTED  
 ALL CAPACITORS IN MFD UNLESS NOTED  
 ALL DIODES 1N4148 UNLESS NOTED  
 VOLTAGES MAY VARY FROM UNIT TO UNIT  
 LAST REFERENCE DESIGNATOR USED:  
 Q1 V3 F4 R60 J27 CR21 C34



**CLASSIC® SERIES 60**

MAIN BD. #98830230 (6-26-89)  
 PATCH BD. #98830240 (6-21-89)

PEAVEY ELECTRONICS CORP. 711 A ST. MERIDIAN, MS	
DRAWN BY JRH	DATE 4-17-90
C.B. CK. JRH	
CK. BY Jameson	
APPR. BY JES	