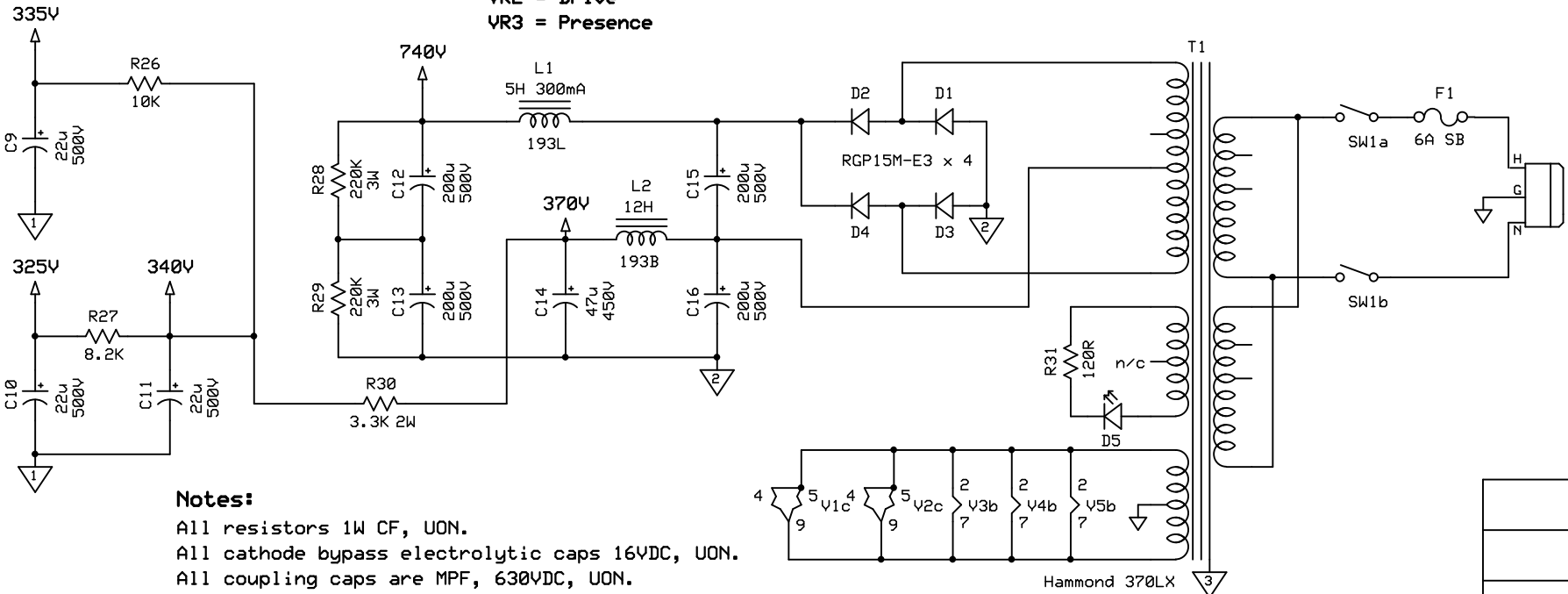


VR1 = Volume
 VR2 = Drive
 VR3 = Presence

Tube Voltage Chart

Pin	V1	V2	V3	V4	V4
1	242	n/c	n/c	n/c	n/c
2	g1	n/c	fil	fil	fil
3	1.81	n/c	190	717	717
4	fil	fil	189	368	368
5	fil	fil	g1	g1	g1
6	221	223	n/c	n/c	n/c
7	g1	g1	fil	fil	fil
8	1.55	4.89	15.75	36.8	37.1
9	fil	fil	n/a	n/a	n/a



Notes:
 All resistors 1W CF, UON.
 All cathode bypass electrolytic caps 16VDC, UON.
 All coupling caps are MPF, 630VDC, UON.