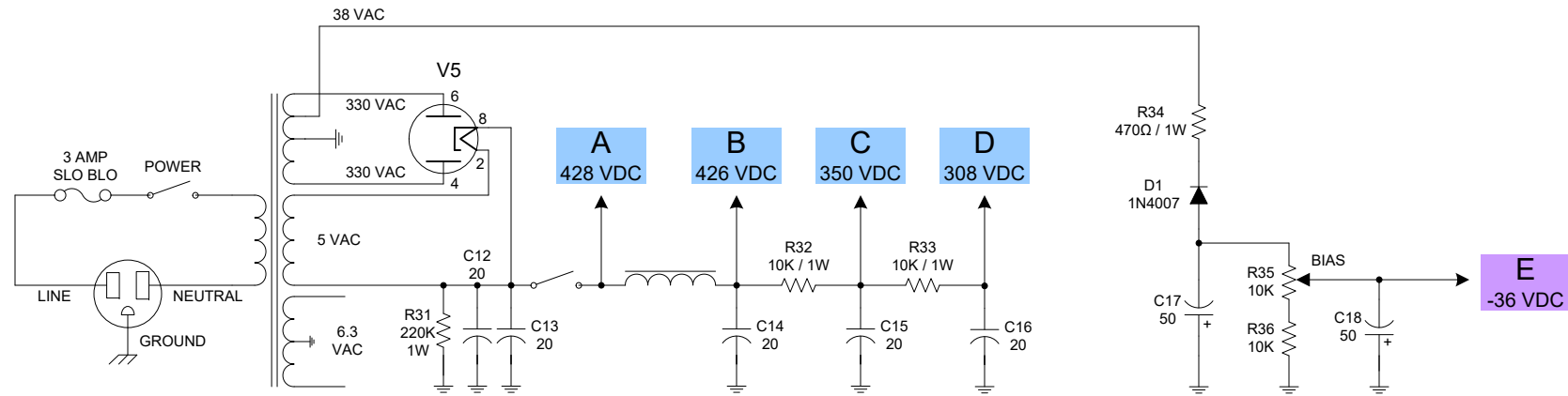
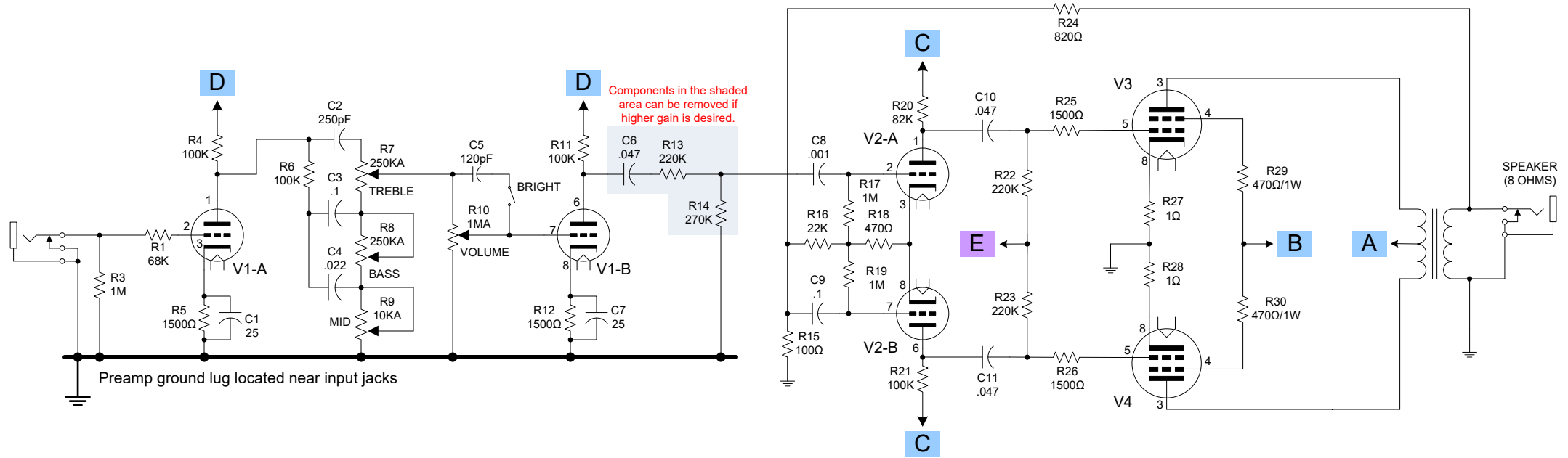
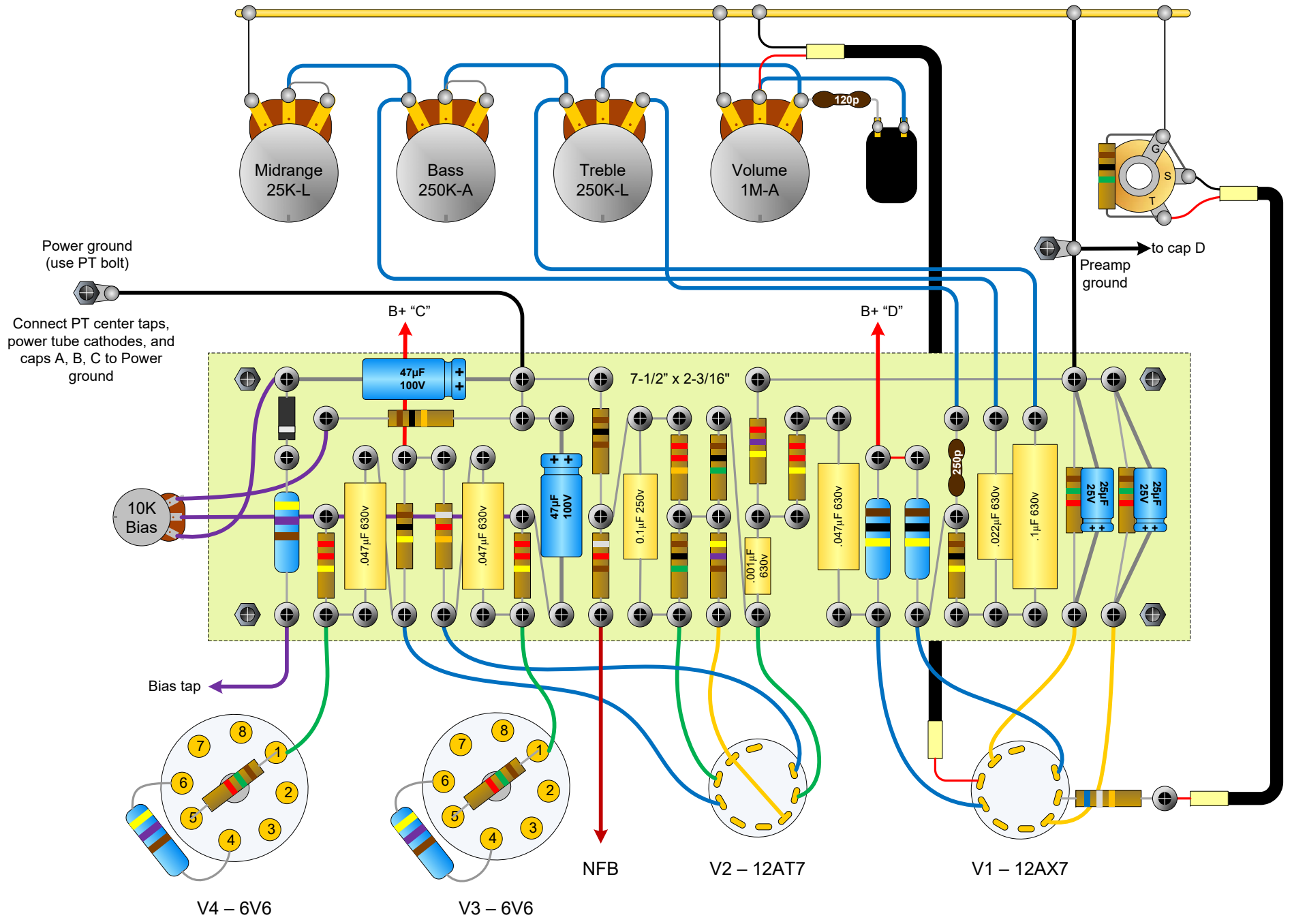


AB763 DELUXE LITE drawn by Steve Luckey. (2007)

Schematic is based on Fender Deluxe Reverb AB763 circuit.





NOTE! Use a separate wire for each ground.

