



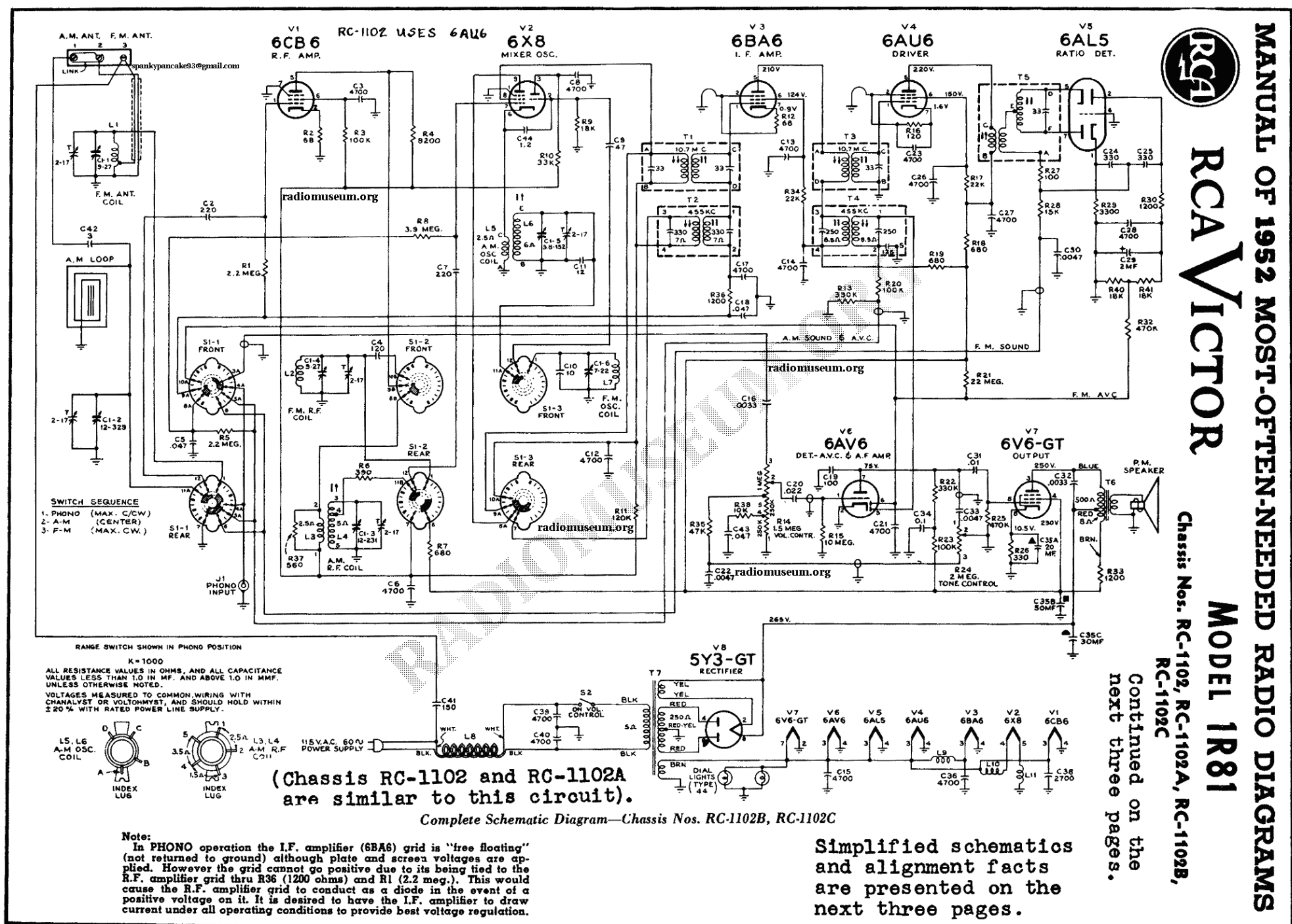
RCA VICTOR

MODEL 1R81

MANUAL OF 1952 MOST-OFTEN-NEEDED RADIO DIAGRAMS

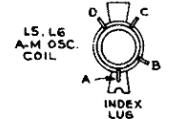
Chassis Nos. RC-1102, RC-1102A, RC-1102B, RC-1102C

Continued on the next three pages.



SWITCH SEQUENCE
 1. PHONO (MAX. C/W)
 2. A-M (CENTER)
 3. F-M (MAX. C.W.)

RANGE SWITCH SHOWN IN PHONO POSITION
 K = 1000
 ALL RESISTANCE VALUES IN OHMS, AND ALL CAPACITANCE VALUES LESS THAN 1.0 IN MF. AND ABOVE 1.0 IN MMF. UNLESS OTHERWISE NOTED.
 VOLTAGES MEASURED TO COMMON WIRING WITH CHANNELYST OR VOLTOHMYST, AND SHOULD HOLD WITHIN ±20% WITH RATED POWER LINE SUPPLY.



(Chassis RC-1102 and RC-1102A are similar to this circuit).

Complete Schematic Diagram—Chassis Nos. RC-1102B, RC-1102C

Note:
 In PHONO operation the I.F. amplifier (6BA6) grid is "free floating" (not returned to ground) although plate and screen voltages are applied. However the grid cannot go positive due to its being tied to the R.F. amplifier grid thru R36 (1200 ohms) and R1 (2.2 meg.). This would cause the R.F. amplifier grid to conduct as a diode in the event of a positive voltage on it. It is desired to have the I.F. amplifier to draw current under all operating conditions to provide best voltage regulation.

Simplified schematics and alignment facts are presented on the next three pages.