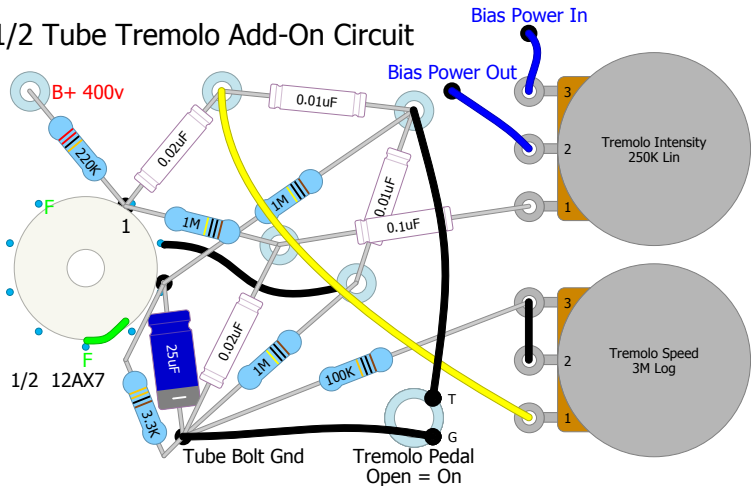


1/2 Tube Tremolo Add-On Circuit



Circuit based on AA1164 Blackface Princeton Reverb tremolo. Layout by Rob Robinette
Circuit is a tube oscillator attached to power tube fixed bias power supply.
Circuit is inserted between power tube fixed bias supply and grid resistors.
'Bias Power Out' connects to the junction of the power tube grid resistors.
'Bias Power In' connects to the bias power supply output. See AA1164 Schematic for details.