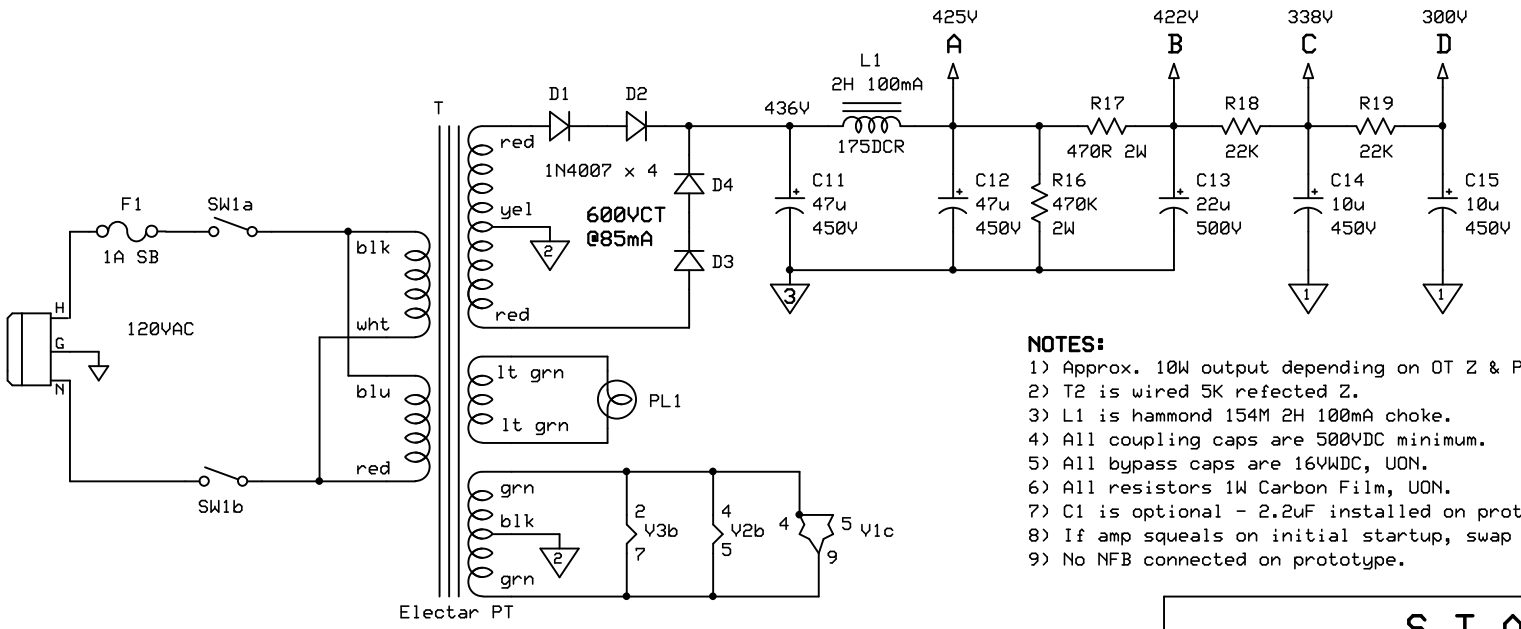


**Tube Volt Chart**

Pin	V1	V2	V3
1	218	102	n/c
2	g1	n/c	fil
3	2.05	2.37	415
4	fil	fil	422
5	fil	fil	g1
6	173	144	n/c
7	g1	2.37	fil
8	1.06	2.37	32.5
9	fil	g1	g1



- NOTES:**
- 1) Approx. 10W output depending on OT Z & P<sub>diss</sub> of V3.
  - 2) T2 is wired 5K reflected Z.
  - 3) L1 is hammond 154M 2H 100mA choke.
  - 4) All coupling caps are 500VDC minimum.
  - 5) All bypass caps are 16VWDC, UON.
  - 6) All resistors 1W Carbon Film, UON.
  - 7) C1 is optional - 2.2uF installed on prototype.
  - 8) If amp squeals on initial startup, swap OT blu & brn leads.
  - 9) No NFB connected on prototype.

<b>S.T.A.C.</b>		
<b>Electar Tube 10 Redux</b>		
P. Mitcheltree	Rev 1.0	Page 1 of 1
	2/18/2018	