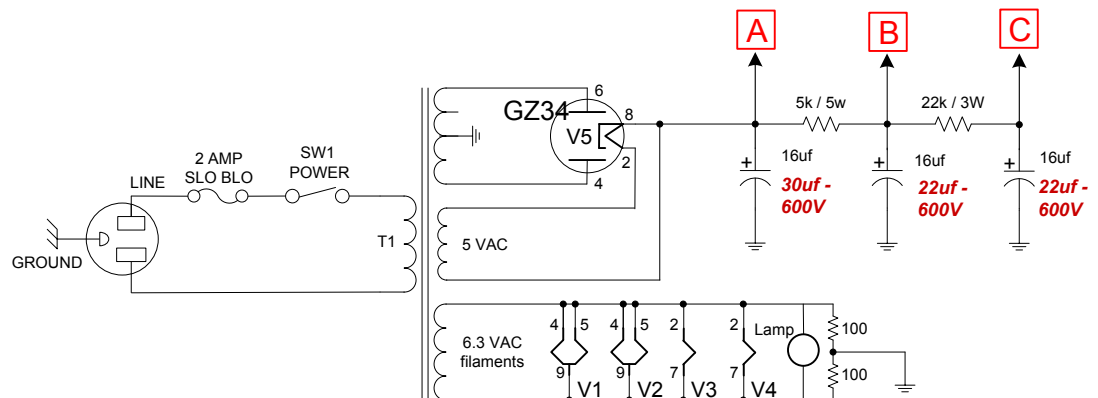
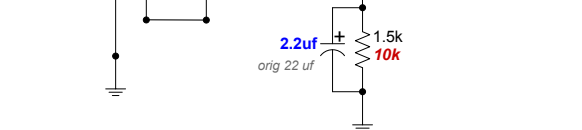
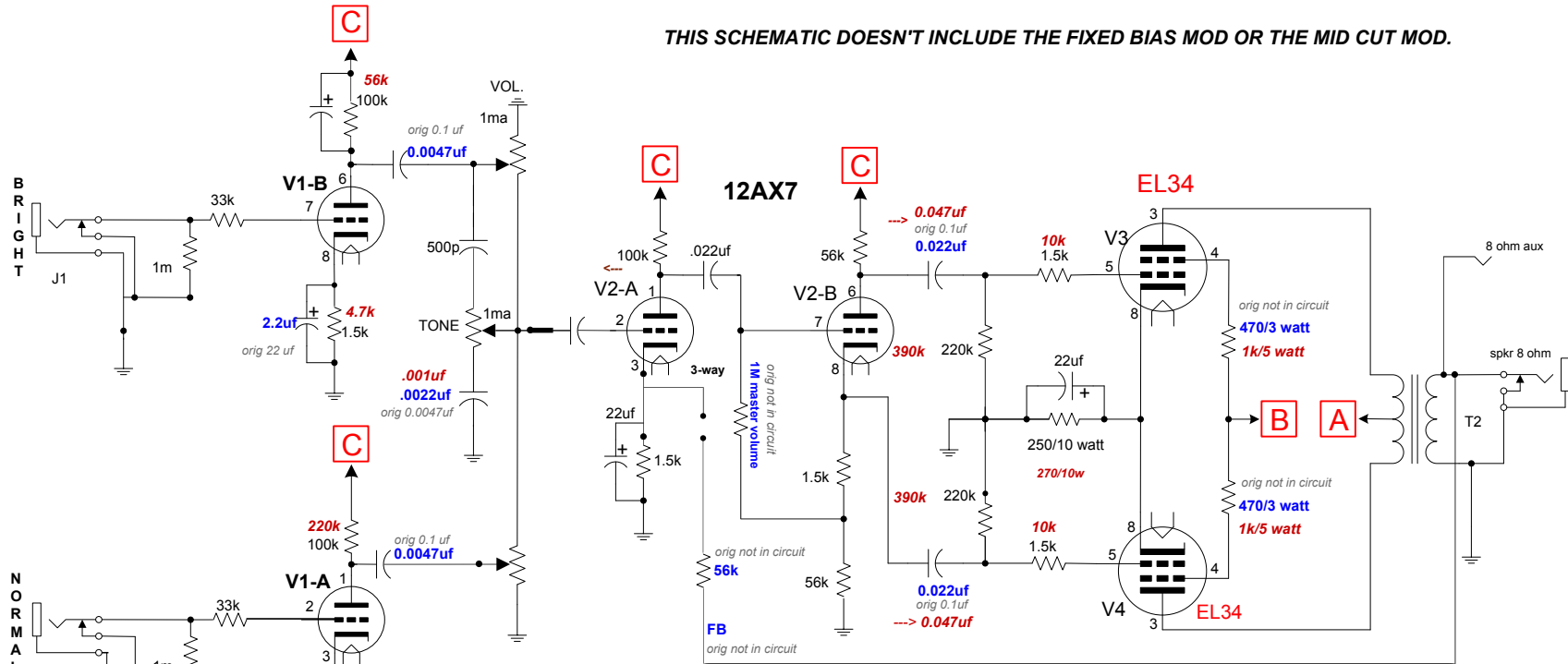


THIS SCHEMATIC DOESN'T INCLUDE THE FIXED BIAS MOD OR THE MID CUT MOD.



THE COMPONENT VALUES INDICATED IN BLUE REPRESENT THE FIRST ROUND OF MODIFICATIONS WHEN THE AMP WAS BUILT. THE VALUES INDICATED IN RED WERE INSTALLED WHEN THE UNIT WAS RE-WIRED.