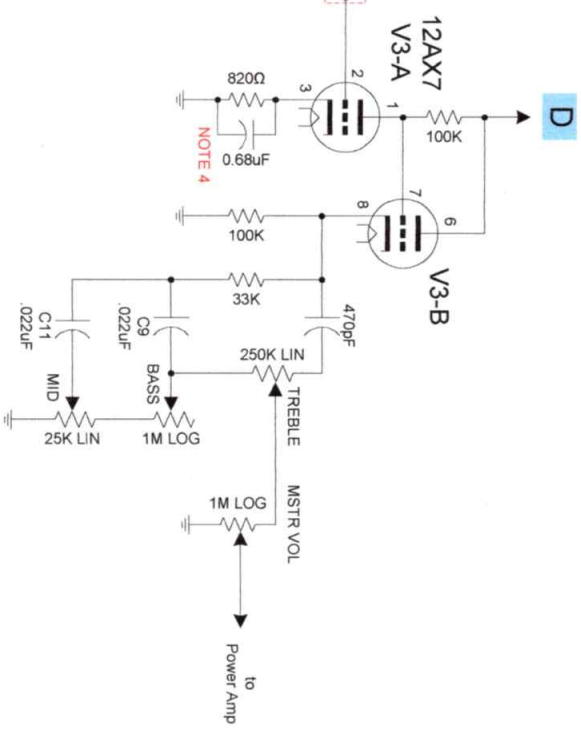
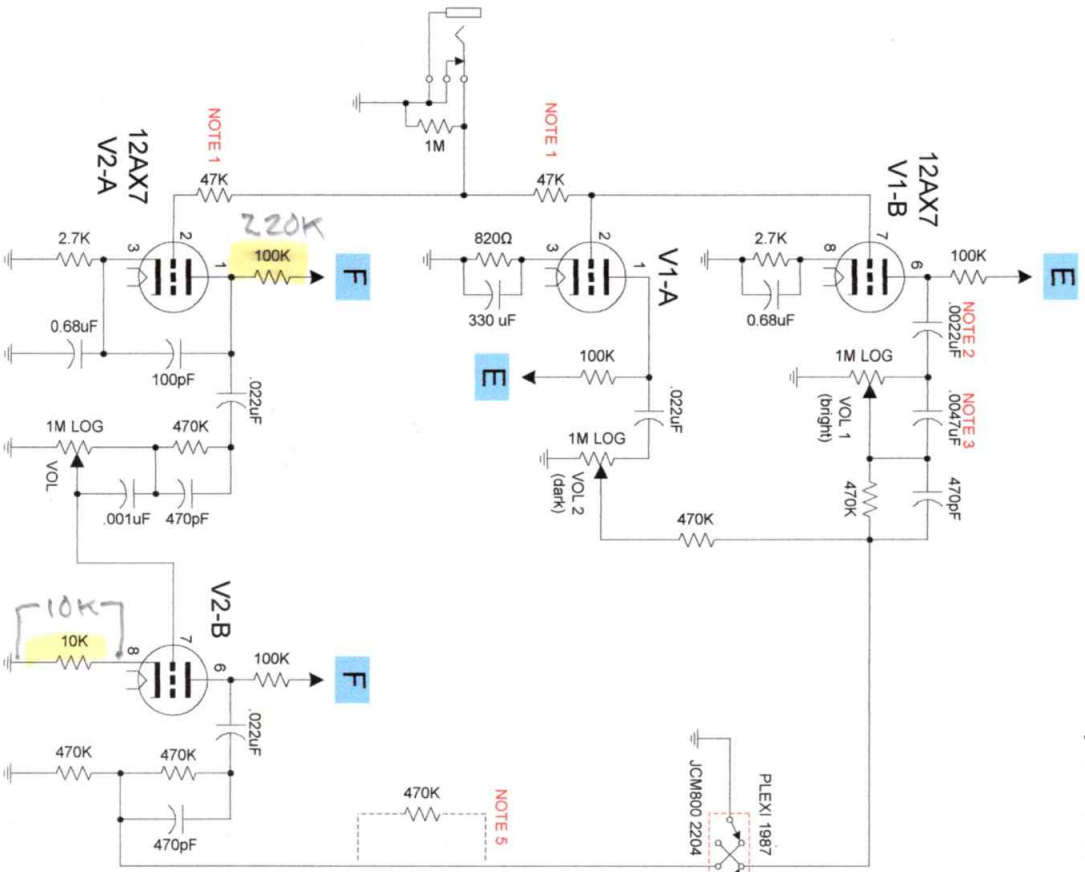


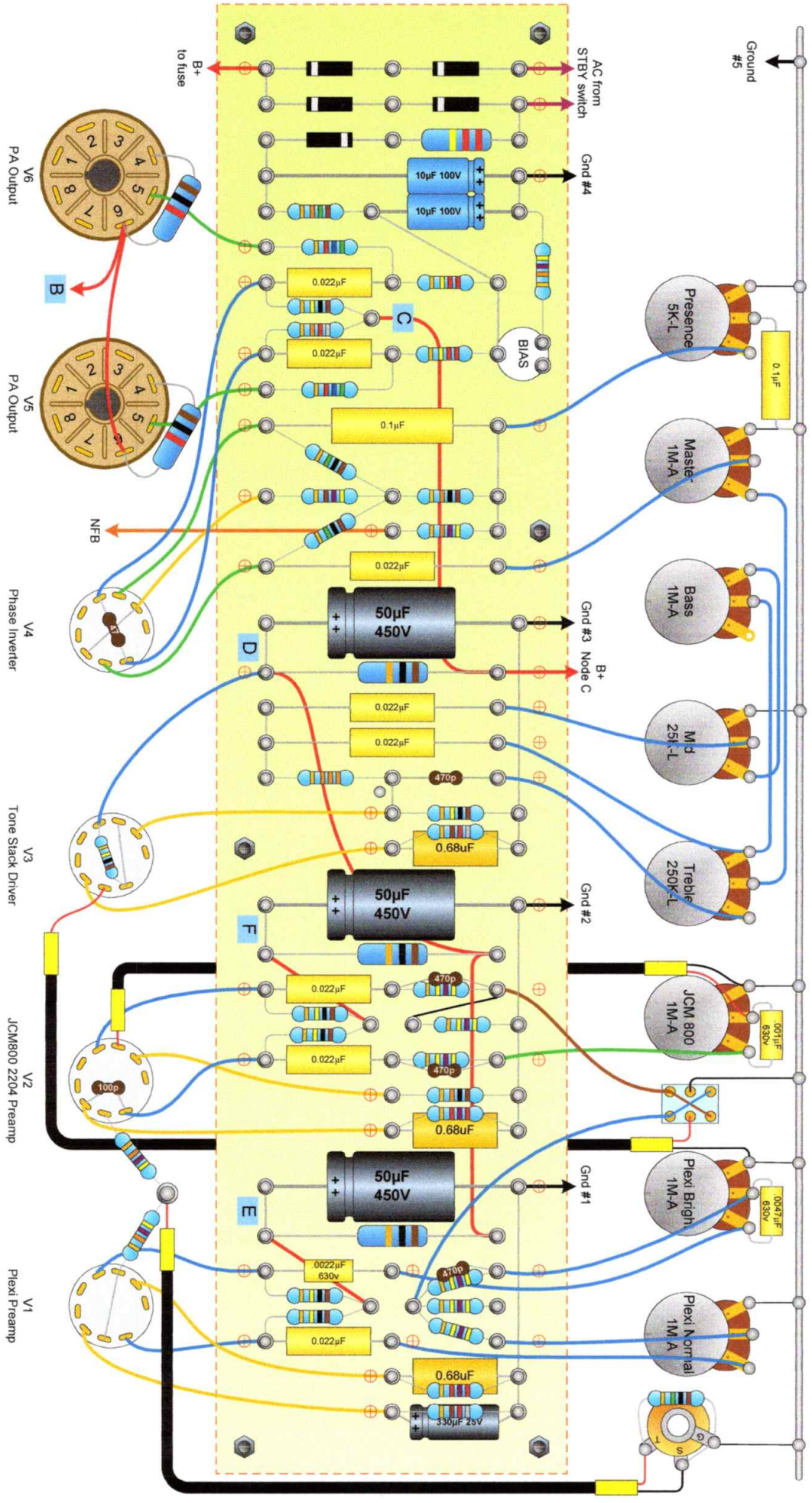
# Marshall JMP Series 1987 and JCM-800 2204

Switchable Dual Preamps  
 Drawn by Steve Luckey



- NOTE 1 Value not critical. Use 33K to 68K.
- NOTE 2 JMP series uses .0022uF  
 JCM-800 series uses .022uF  
 90's Reissue series uses .022uF
- NOTE 3 JMP series uses .005uF  
 JCM-800 series uses .022uF  
 90's Reissue series uses .0047uF
- NOTE 4 The 0.68uF cap is only present in the JMP-1987 series.
- NOTE 5 Alternate Switching. Remove the channel selector switch and put a 470K mixing resistor in the JCM-800 signal path as shown. Replace the single input jack with two separate jacks and use an external AVB switch to select channels.





# DRILL GUIDE

## INSTRUCTIONS FOR PRINTING DRILL GUIDE

**NOTE:** This drawing contains layers. Insure all layers are turned on for printing.

Board size is 3 1/8" X 13". Print two copies of this drill guide **FULL SIZE**, on legal size paper. One copy will be used as a drill guide. The other copy will be used for installing jumpers. Measure the board length of the printout to verify it is 13". Attach to blank board using double sided carpet tape. Use a center punch to put a mark at the cross hairs of each turret, standoff, and hole. Use a 3/32" drill bit to drill all holes. Then enlarge holes as needed for standoff screws and wire pass thru.

- ⊕ Turret --- drill size is 3/32"
- ⊕ Standoff - drill size to fit
- ⊕ Hole for wire pass thru - drill size to fit
- Dashed lines are underboard jumpers

