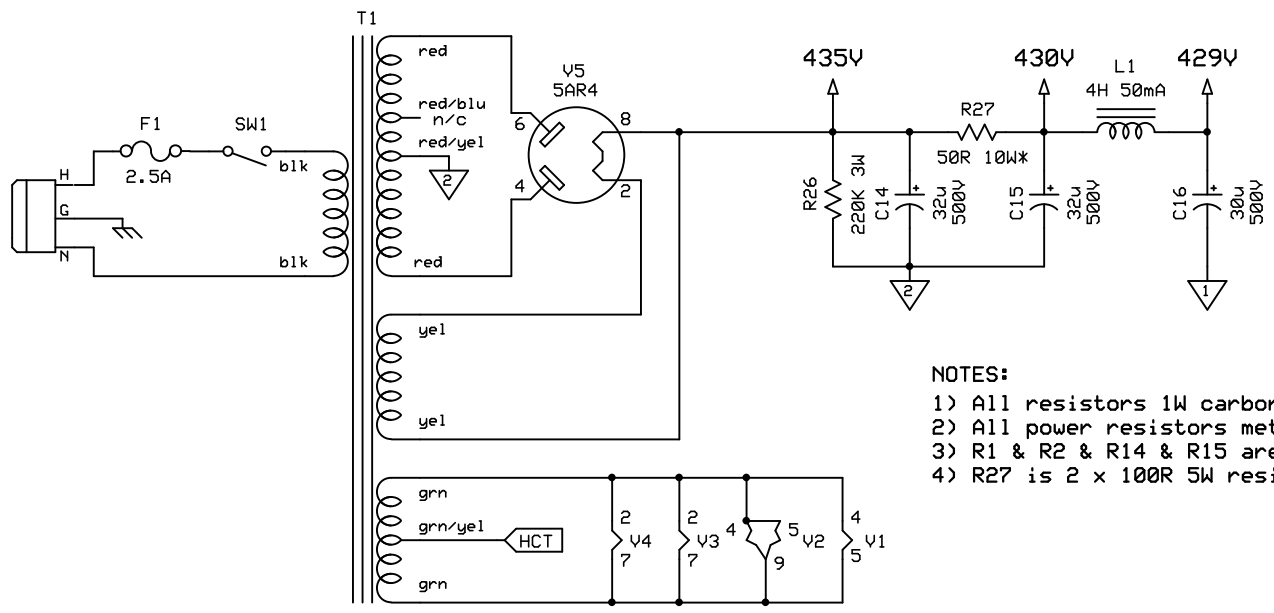


V3 I_k = 64mA
 V4 I_k = 55mA
 Vese R16 = 1.77V

Tube Voltage Chart

Pin	V1	V2	V3	V4	V5
1	135	330	30.8	30.8	n/c
2	n/c	g1	fil	fil	fil
3	3.3	99	424	425	n/c
4	fil	fil	420	421	370AC
5	fil	fil	g1	g1	n/c
6	218	210	n/c	n/c	370AC
7	0	g1	fil	fil	n/c
8	3.33	1.75	30.8	30.8	435
9	g1	fil	n/a	n/a	n/a



NOTES:
 1) All resistors 1W carbon film, 5% tolerance, UON.
 2) All power resistors metal foil/film, 5% tolerance.
 3) R1 & R2 & R14 & R15 are low noise 500mW metal film resistors.
 4) R27 is 2 x 100R 5W resistors in parallel.

P-TF22723

S.T.A.C.		
Magnecord Redux		
P. Mitcheltree	Rev 1.0 6/15/2019	Page 1 of 1