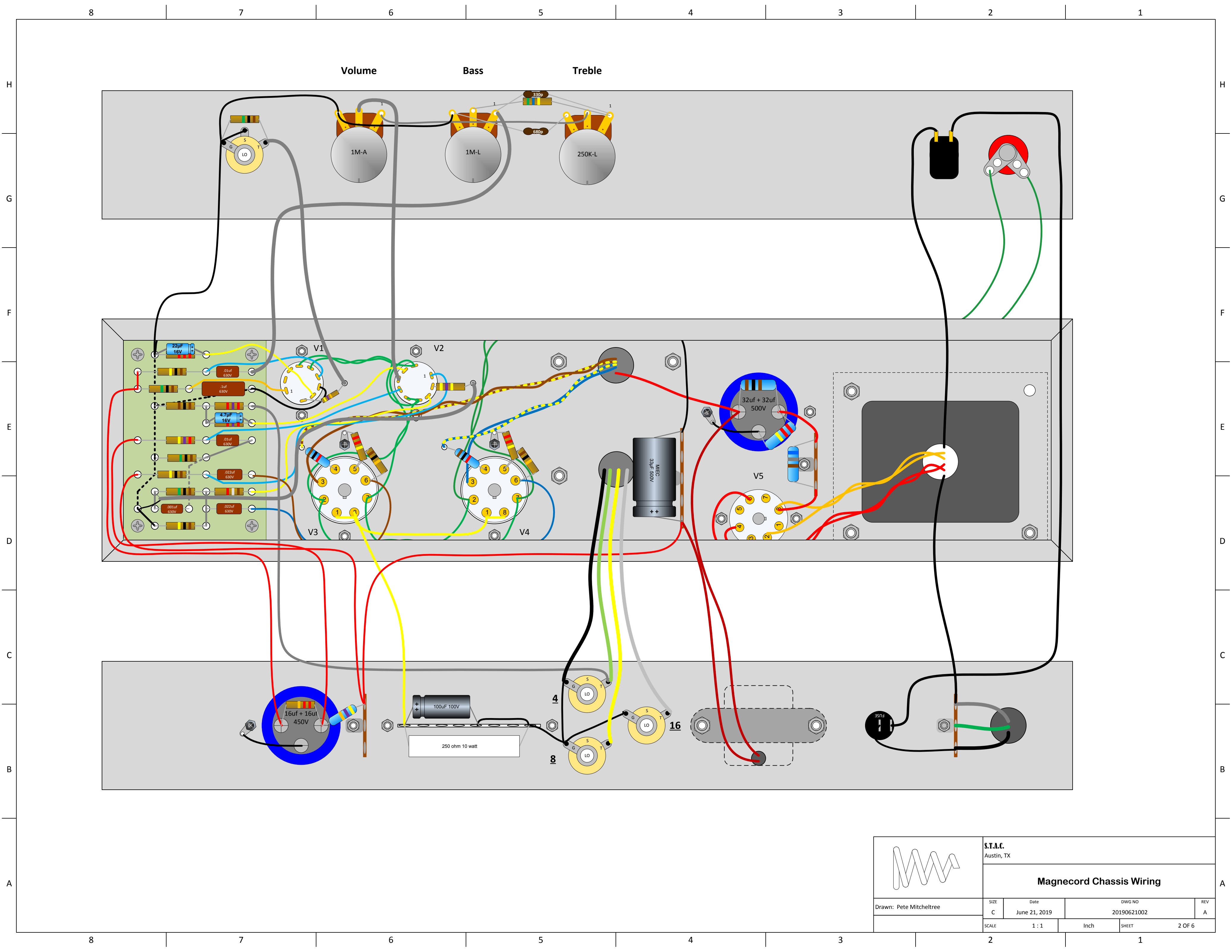
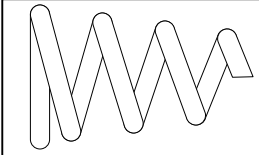
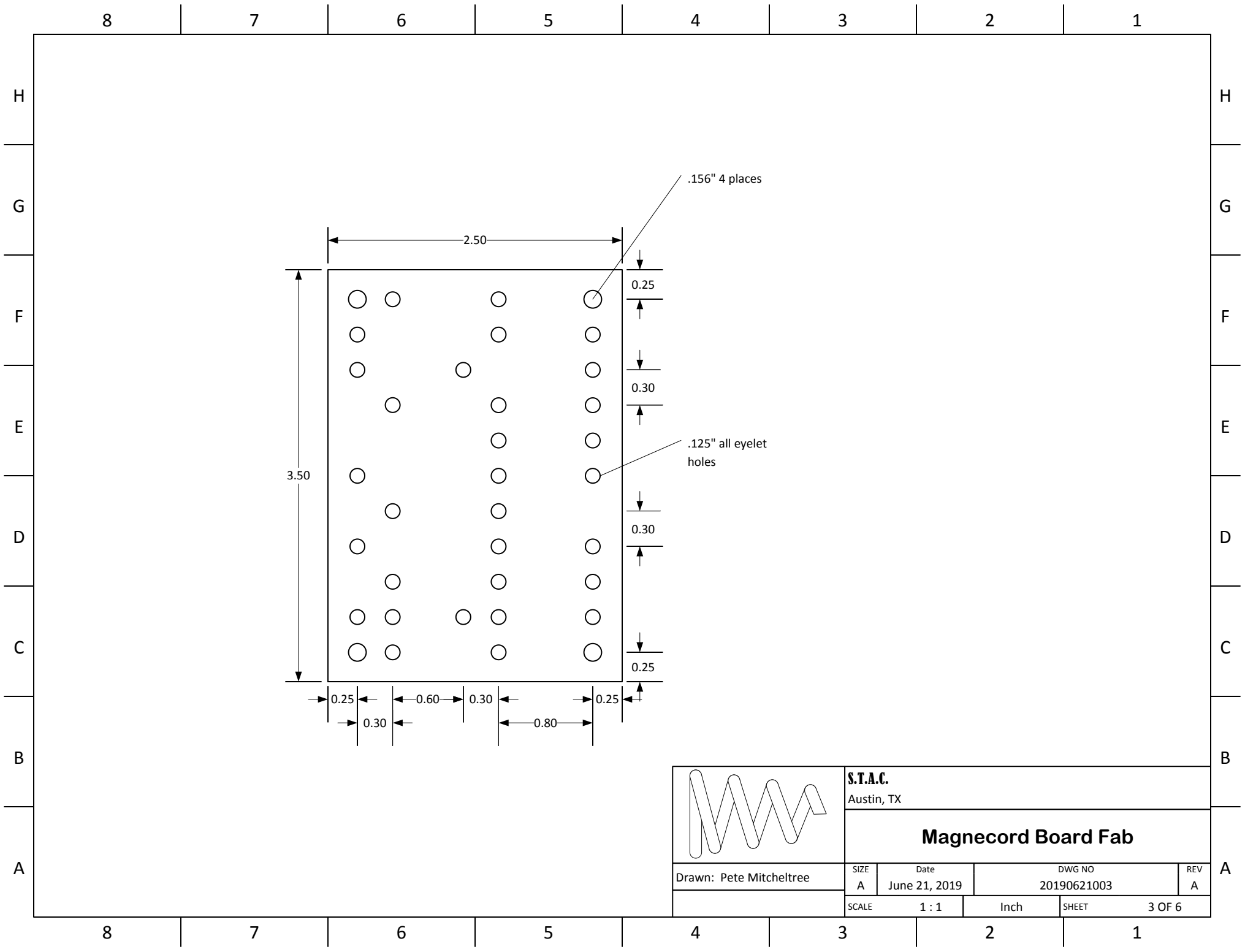
	S.T.A.C. Austin, TX			
	Magnecord Chassis Rework			
Drawn: Pete Mitcheltree	SIZE C	Date June 21, 2019	DWG NO 20190621001	REV A
	SCALE 1 : 1	Inch	SHEET	1 OF 6



		S.T.A.C. Austin, TX		
		Magnecord Chassis Wiring		
Drawn: Pete Mitcheltree	SIZE C	Date June 21, 2019	DWG NO 20190621002	REV A
SCALE 1 : 1		Inch	SHEET 2 OF 6	



S.T.A.C.
Austin, TX

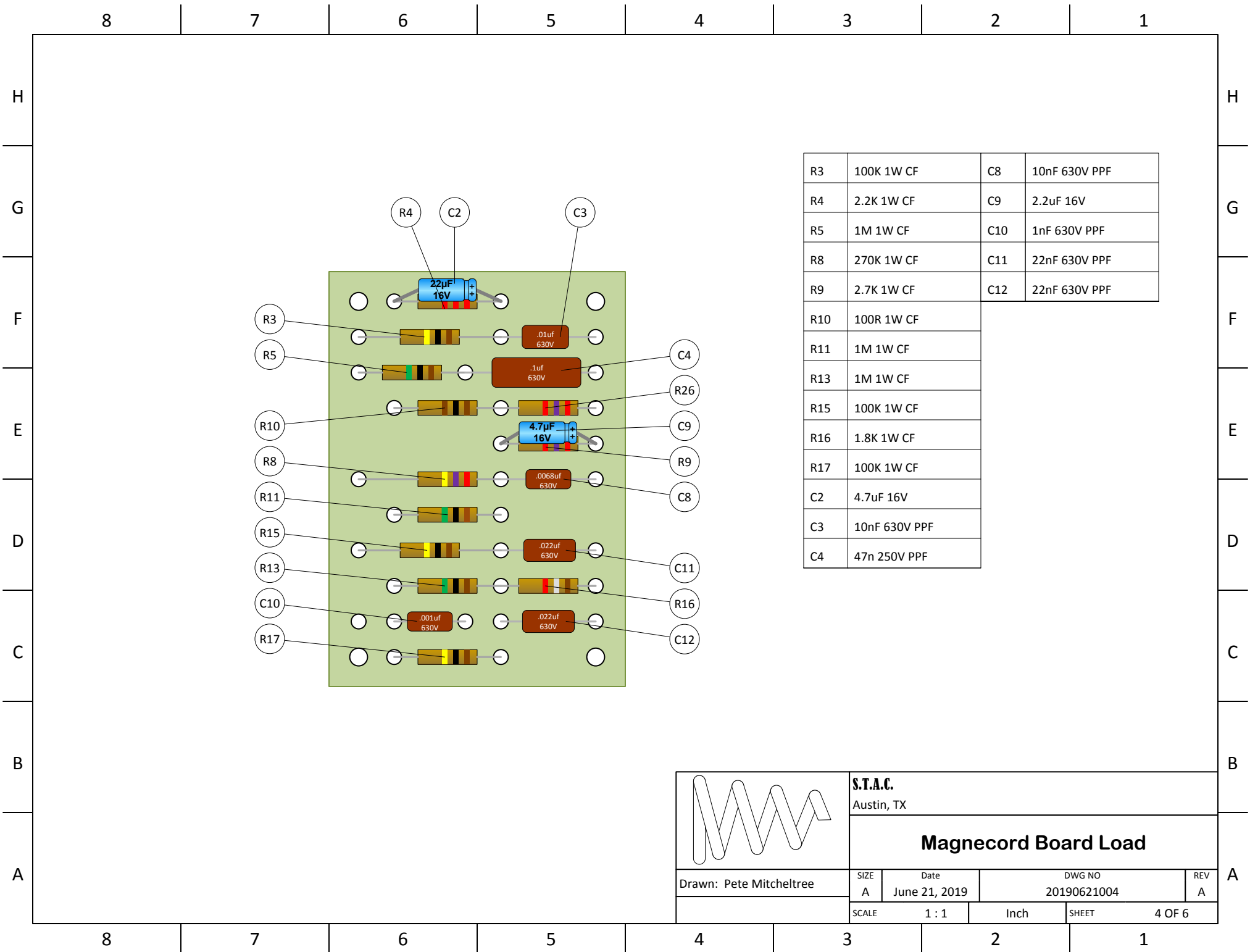
Magnecord Board Fab

Drawn: Pete Mitcheltree

SIZE A	Date June 21, 2019	DWG NO 20190621003	REV A
-----------	-----------------------	-----------------------	----------

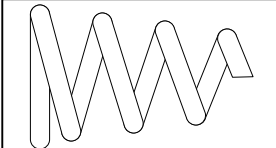
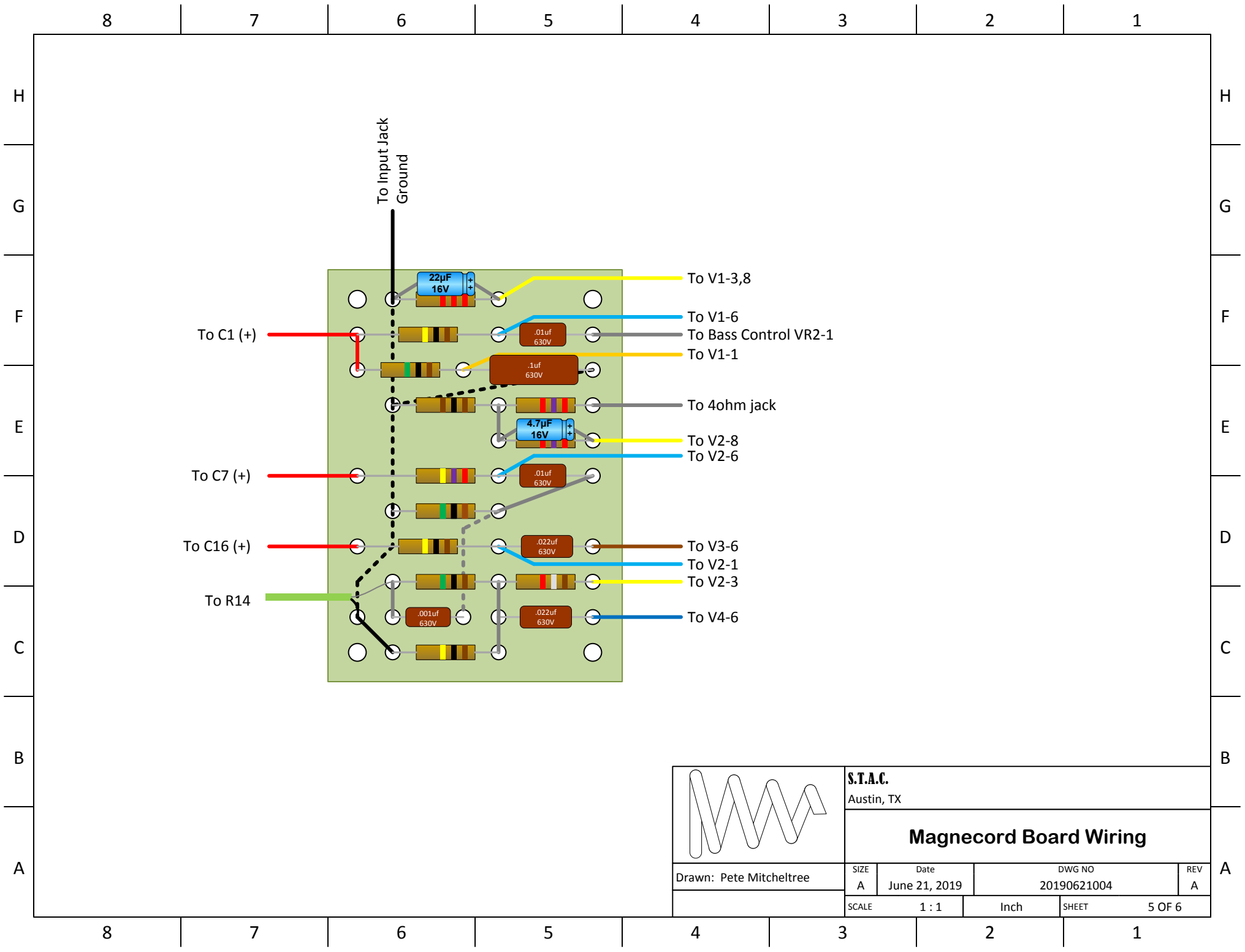
SCALE 1 : 1

Inch	SHEET 3 OF 6
------	-----------------



R3	100K 1W CF	C8	10nF 630V PPF
R4	2.2K 1W CF	C9	2.2uF 16V
R5	1M 1W CF	C10	1nF 630V PPF
R8	270K 1W CF	C11	22nF 630V PPF
R9	2.7K 1W CF	C12	22nF 630V PPF
R10	100R 1W CF		
R11	1M 1W CF		
R13	1M 1W CF		
R15	100K 1W CF		
R16	1.8K 1W CF		
R17	100K 1W CF		
C2	4.7uF 16V		
C3	10nF 630V PPF		
C4	47n 250V PPF		

	S.T.A.C.		
	Austin, TX		
Magnecord Board Load			
Drawn: Pete Mitcheltree	SIZE A	Date June 21, 2019	DWG NO 20190621004
	SCALE 1 : 1	Inch	REV A
		SHEET	4 OF 6



S.T.A.C.
Austin, TX

Magnecord Board Wiring

Drawn: Pete Mitcheltree	SIZE	Date	DWG NO	REV
	A	June 21, 2019	20190621004	A
SCALE		1 : 1	Inch	SHEET
				5 OF 6

8

7

6

5

4

3

2

1

H

G

F

E

D

C

B

A

8

7

6

5

4

3

2

1

H

G

F

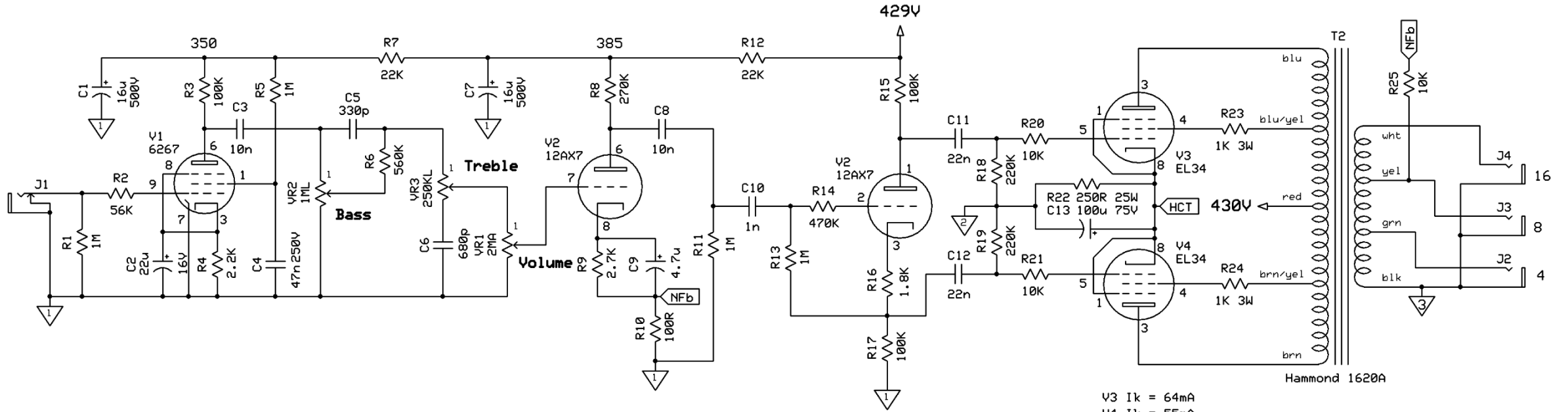
E

D

C

B

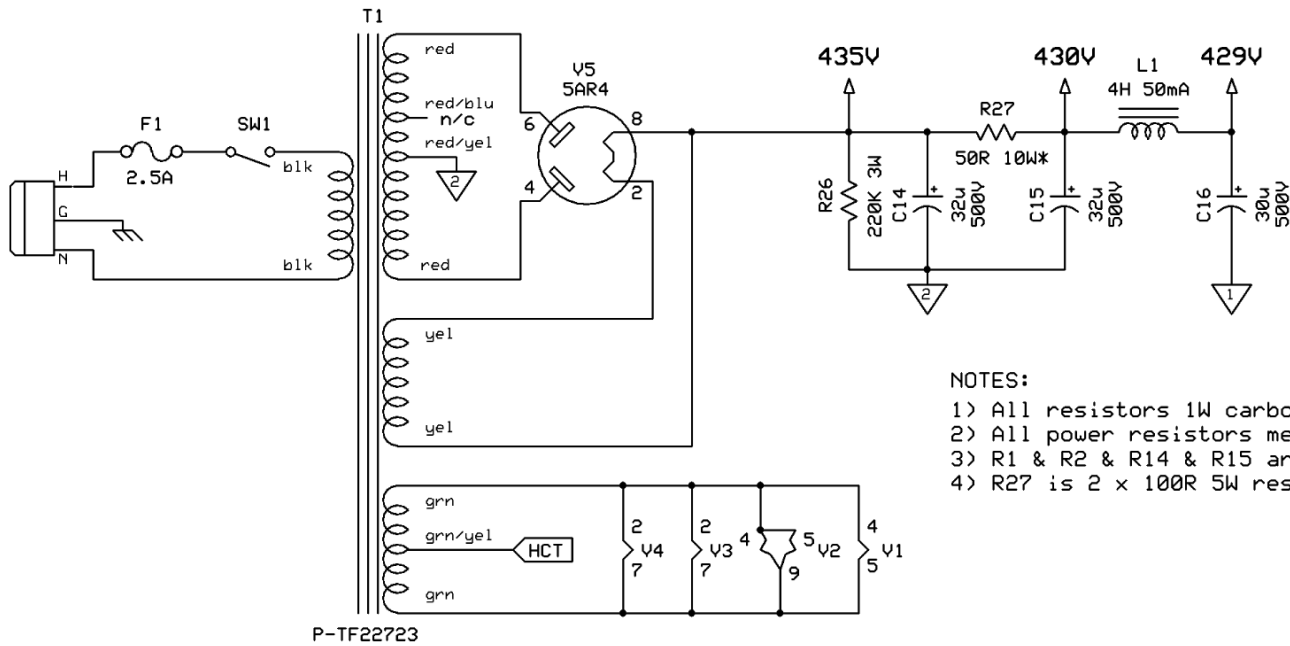
A



V3 I_k = 64mA
 V4 I_k = 55mA
 Vese R16 = 1.77V

Tube Voltage Chart

Pin	V1	V2	V3	V4	V5
1	135	330	30.8	30.8	n/c
2	n/c	g1	fil	fil	fil
3	3.3	99	424	425	n/c
4	fil	fil	420	421	370AC
5	fil	fil	g1	g1	n/c
6	218	210	n/c	n/c	370AC
7	0	g1	fil	fil	n/c
8	3.33	1.75	30.8	30.8	435
9	g1	fil	n/a	n/a	n/a



NOTES:

- 1) All resistors 1W carbon film, 5% tolerance, UON.
- 2) All power resistors metal foil/film, 5% tolerance.
- 3) R1 & R2 & R14 & R15 are low noise 500mW metal film resistors.
- 4) R27 is 2 x 100R 5W resistors in parallel.

S.T.A.C.		
Magnecord Redux		
P. Mitcheltree	Rev 1.0 6/15/2019	Page 1 of 1