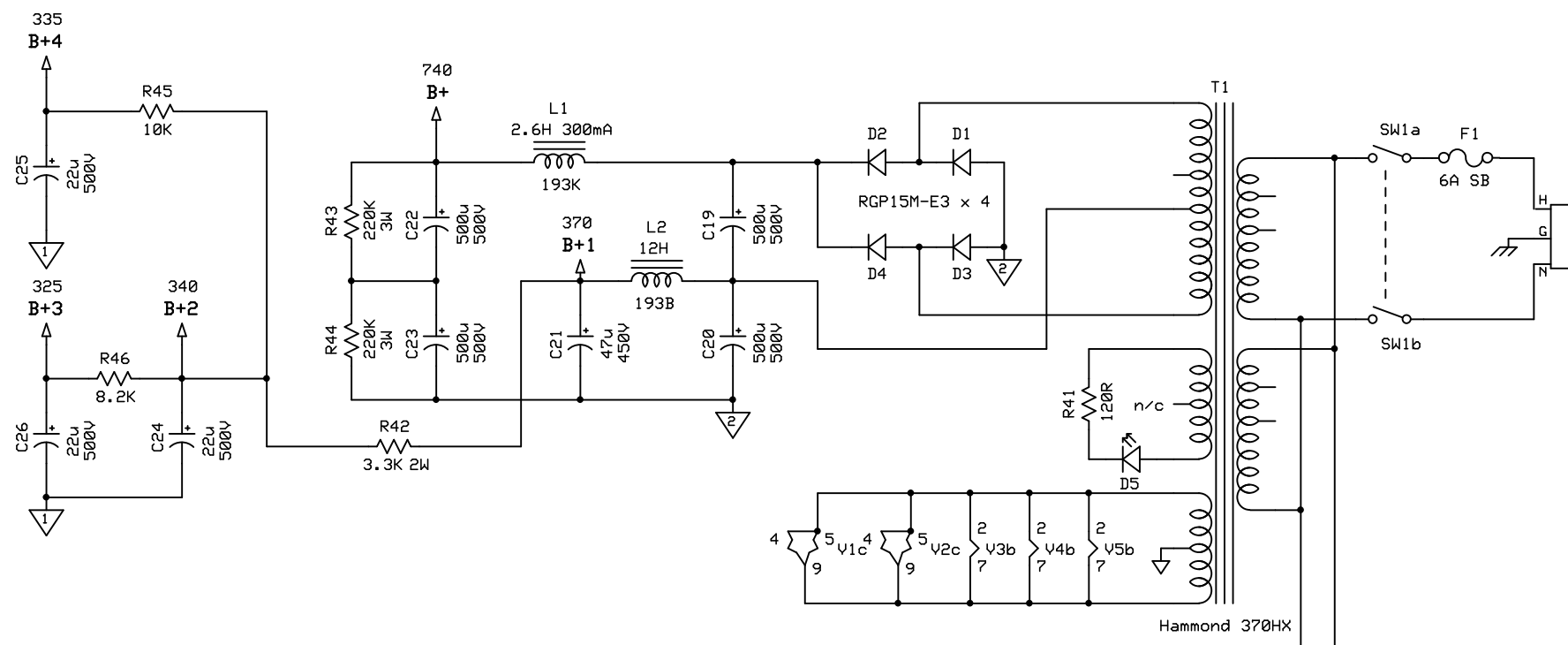


Tube Voltage Chart

Pin	V1	V2	V3	V4	V5	V6
1					n/c	n/c
2	g1	g1	g1	g1	fil	fil
3					717	717
4	fil	fil	fil	fil	368	368
5	fil	fil	fil	fil	g1	g1
6					n/c	n/c
7	g1	g1	g1	g1	fil	fil
8					36.8	37.1
9	fil	fil	fil	fil	n/a	n/a



- NOTES:
- 1) All resistors are 500mW, 2% low noise MF, 100ppm, UON.
 - 2) All coupling caps are 600VDC, PPF, UON.
 - 3) All HV power supply electrolytics are 500, UON.
 - 4) All cathode bypass electrolytics are 10VDC, UON.
 - 5) All LDR are Vactrol VTL5C1.
 - 6) T1 is a custom part.

