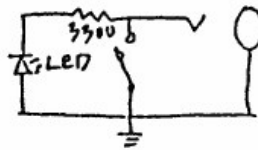




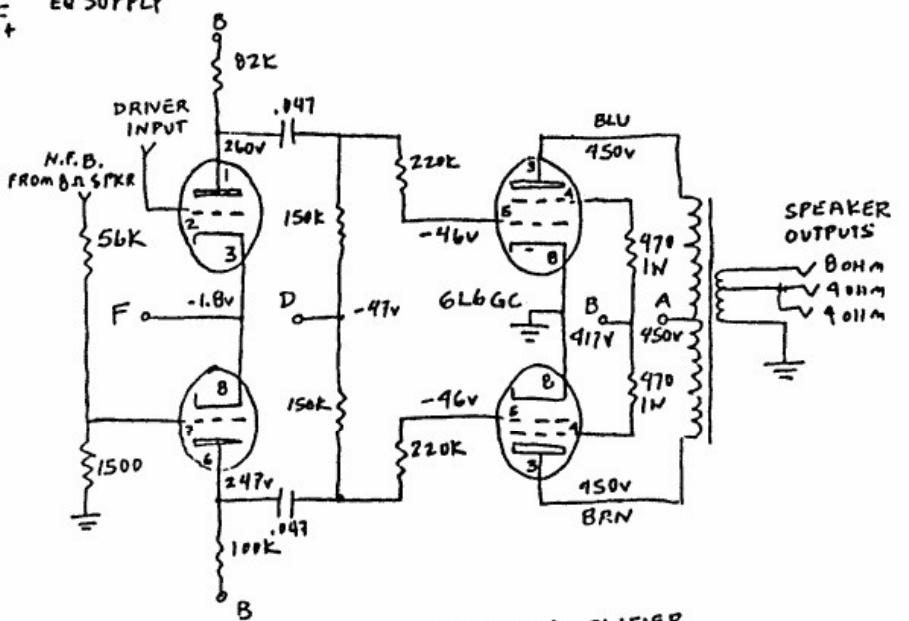
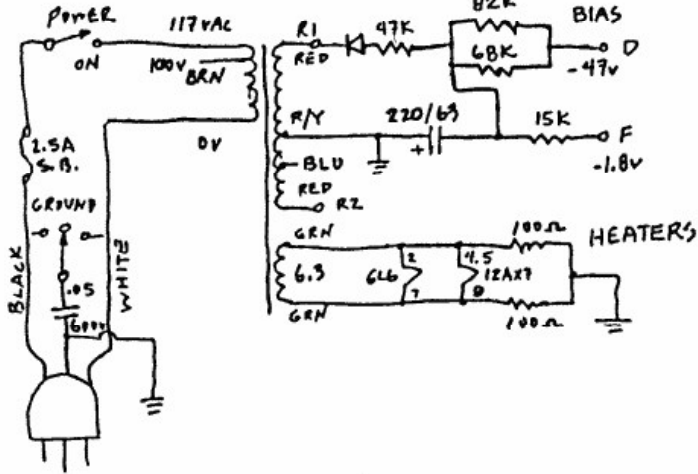
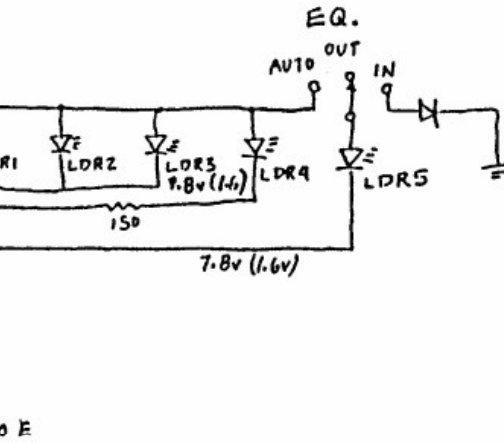
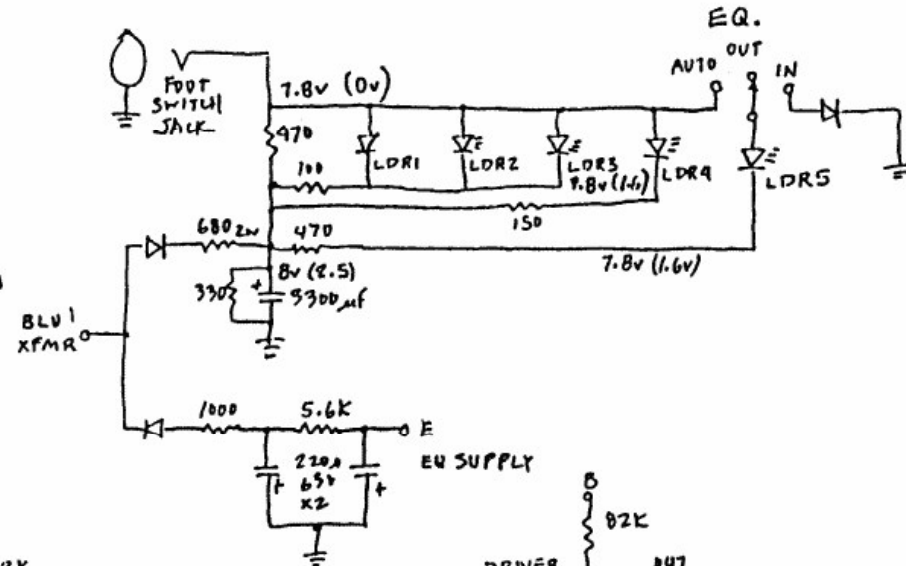
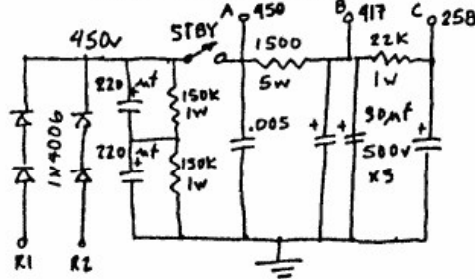
# MESA/BOOGIE .50 CALIBER +

## LDR SUPPLY

### FOOT SWITCH



### HIGH-VOLTAGE SUPPLY



### DRIVER

### POWER AMPLIFIER

4-6-89