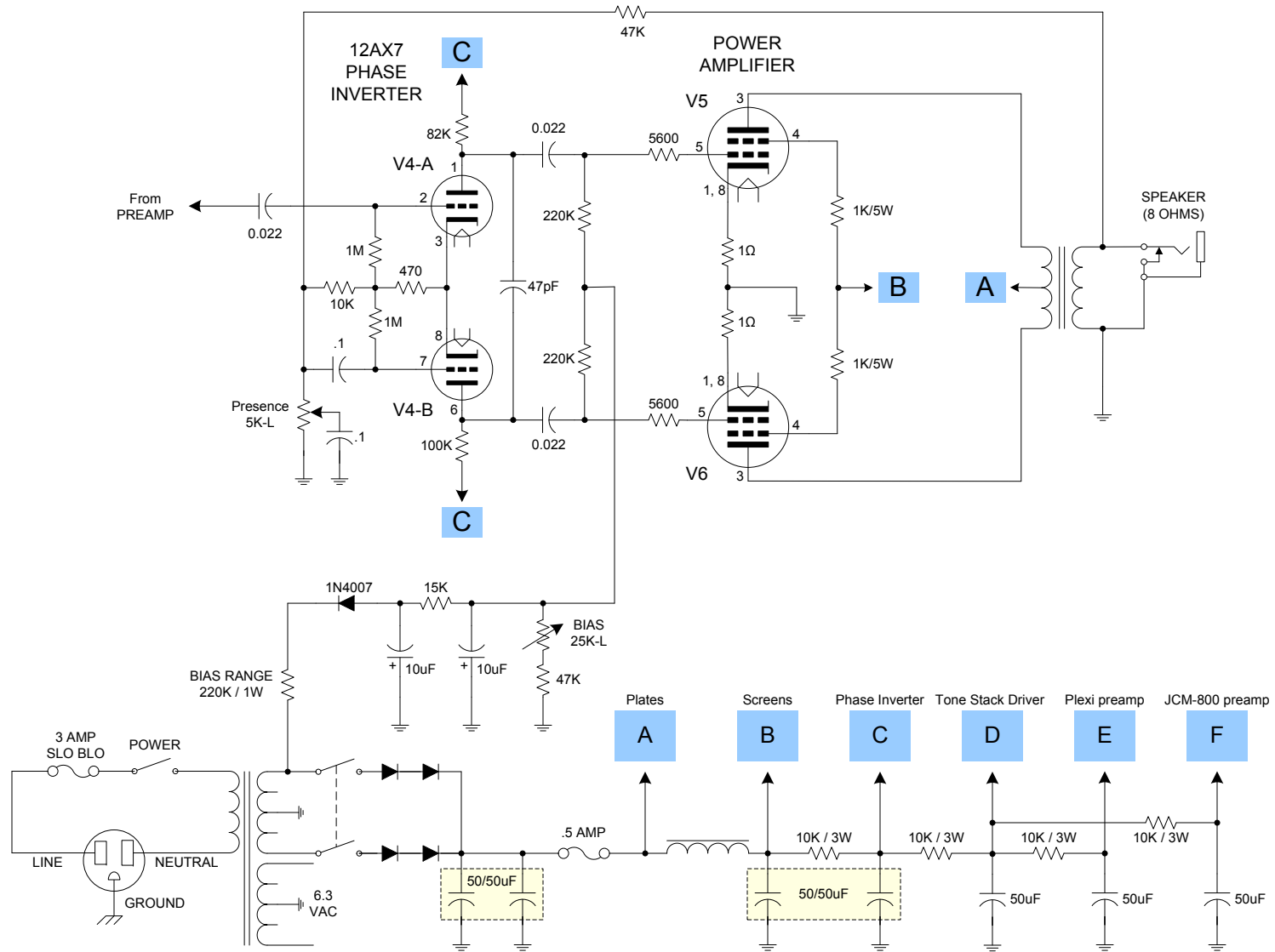
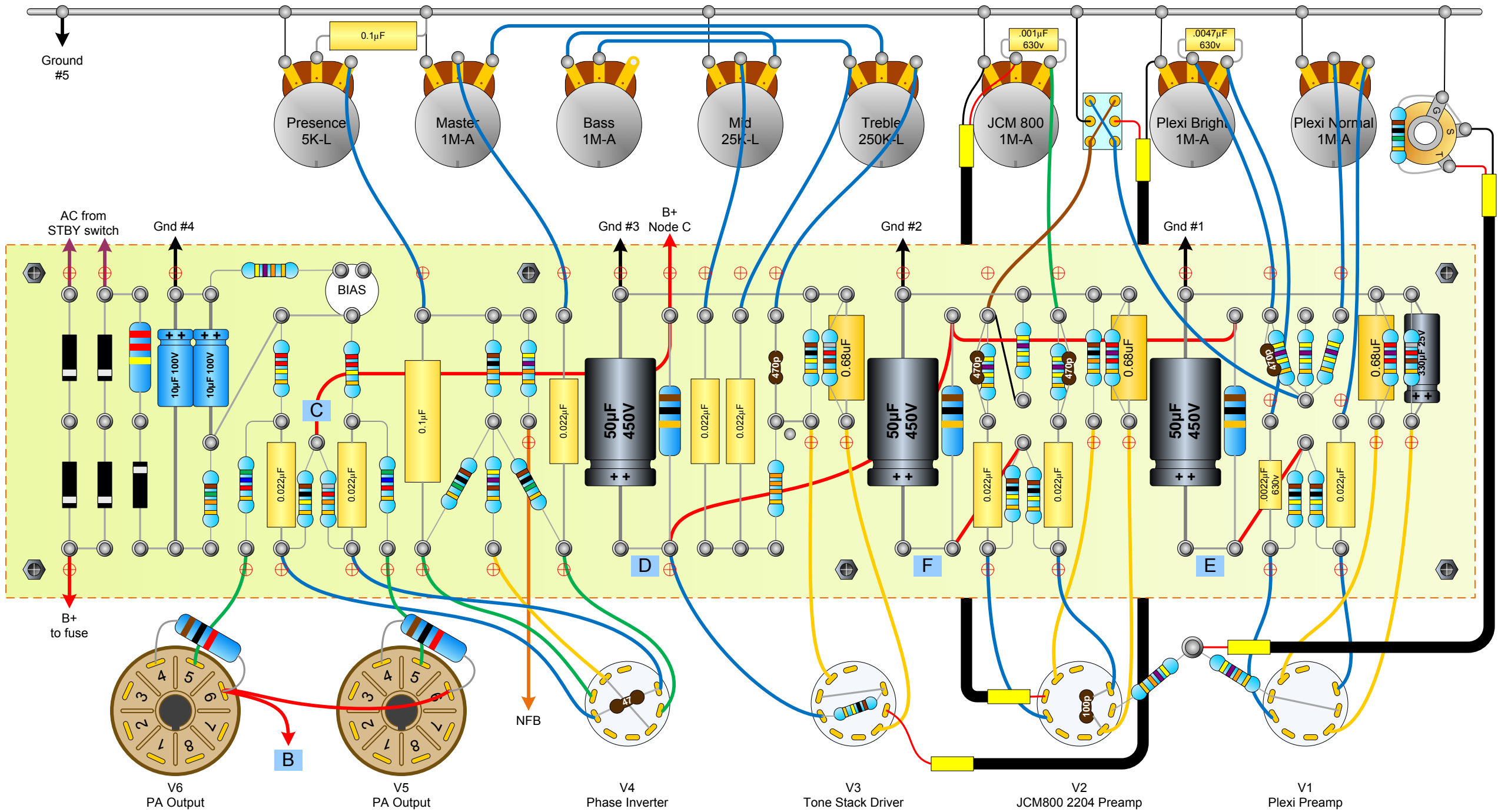


Marshall JMP Series 1987 PLEXI Lead

Power Amp and Power Supply

Drawn by Steve Luckey





DRILL GUIDE

⊕ Turret --- drill size is 3/32"

⊕ Standoff – drill size to fit

⊕ Hole for wire pass thru – drill size to fit

--- Dashed lines are underboard jumpers

INSTRUCTIONS FOR PRINTING DRILL GUIDE

NOTE... This drawing contains layers. Insure all layers are turned on for printing.

Board size is 3 1/8" X 13". Print two copies of this drill guide **FULL SIZE** on legal size paper. One copy will be used as a drill guide. The other copy will be used for installing jumpers. Measure the board length of the printout to verify it is 13". Attach to blank board using double sided carpet tape. Use a center punch to put a mark at the cross hairs of each turret, standoff, and hole. Use a 3/32" drill bit to drill all holes. Then enlarge holes as needed for standoff screws and wire pass thru.

