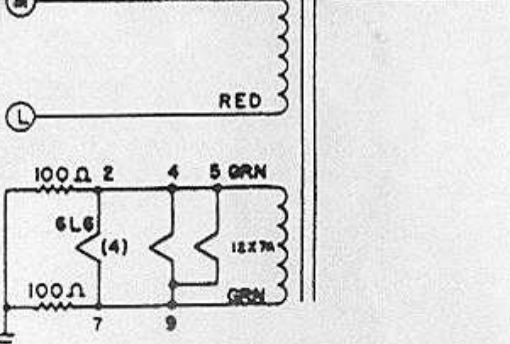
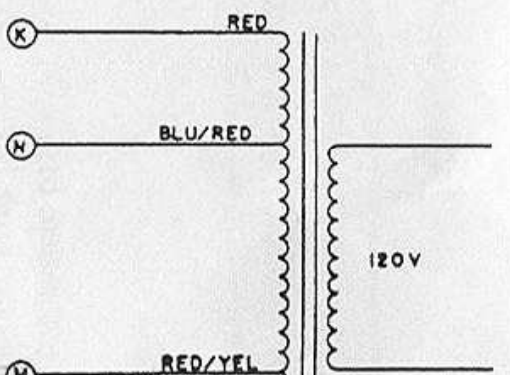
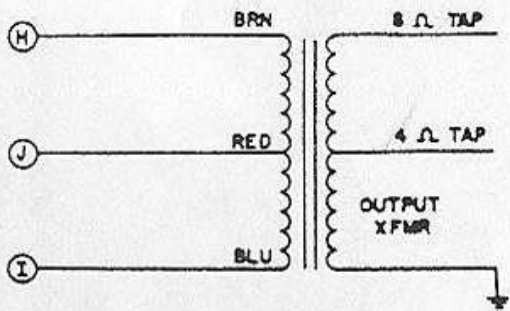
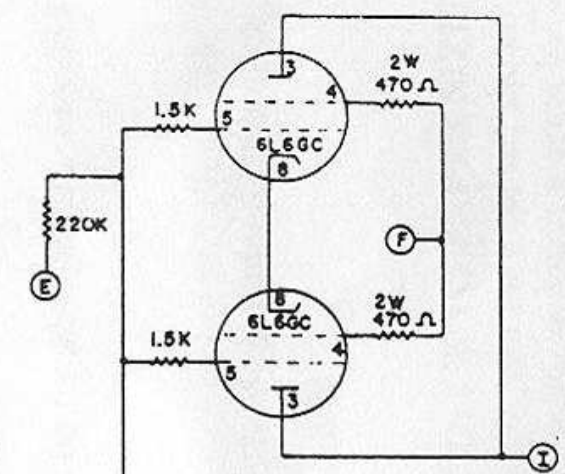
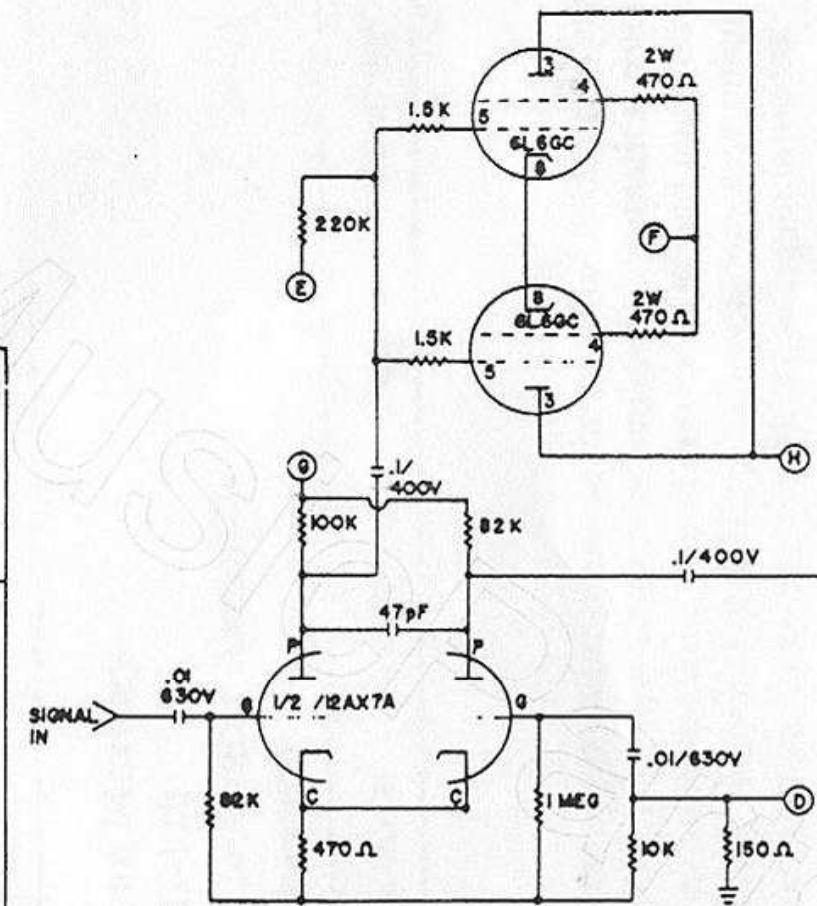
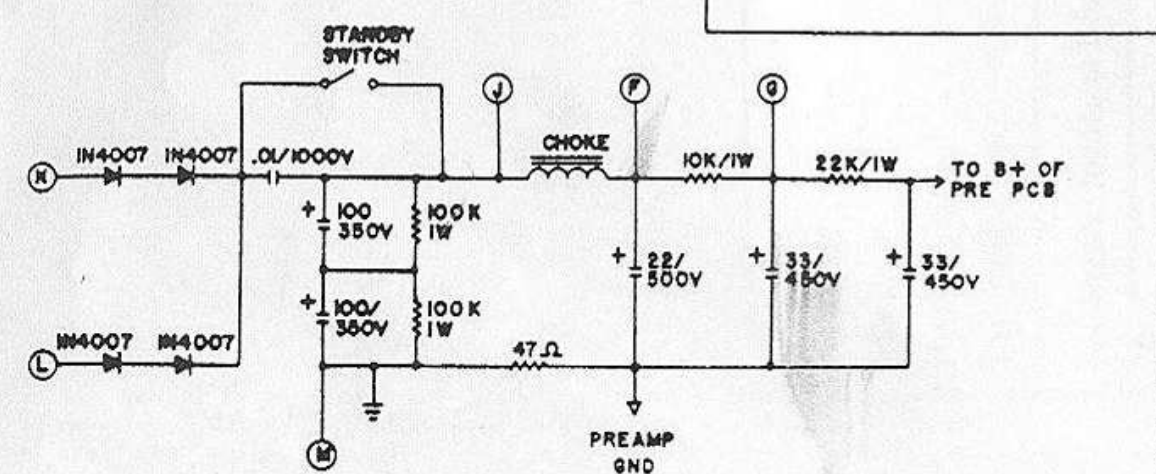
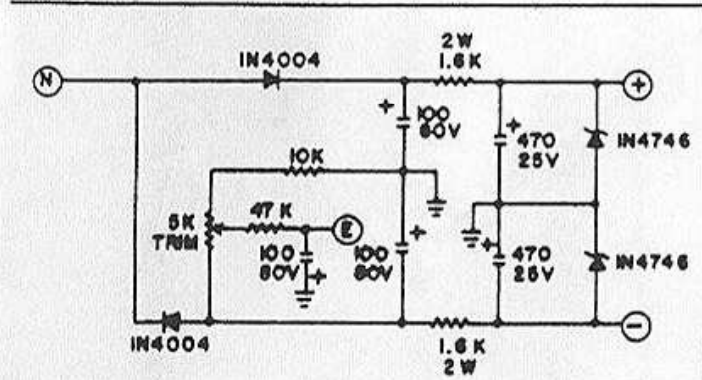
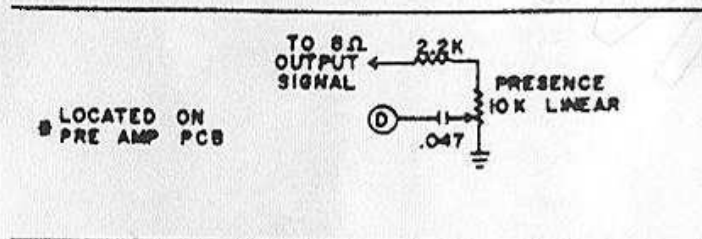
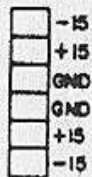


6 PIN HEADER



NOTES:  
 ALL RESISTORS 1/2W UNLESS OTHERWISE NOTED.  
 ALL CAPACITORS IN  $\mu$ F UNLESS OTHERWISE NOTED.  
 SCHEMATIC FOR BOARD NO. 550-056.

		TITLE	
		PWR SCHEMATICS	
DESIGNED BY	DATE	CD 120 PWR	
CHECKED BY	DATE		