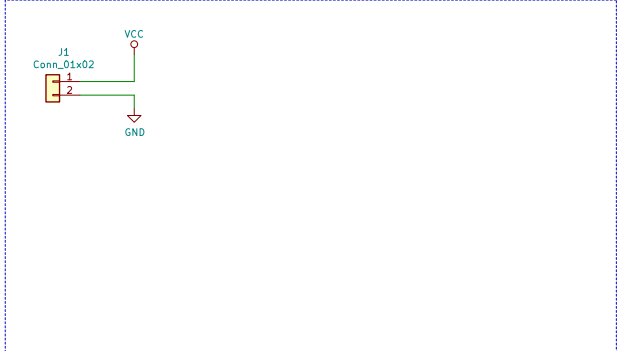
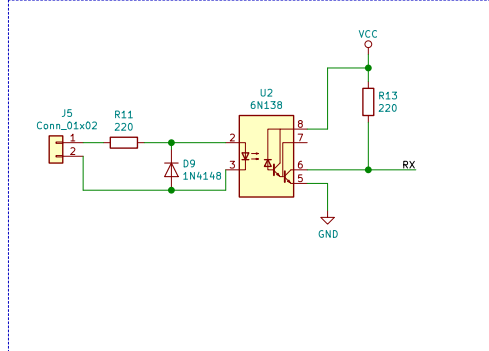


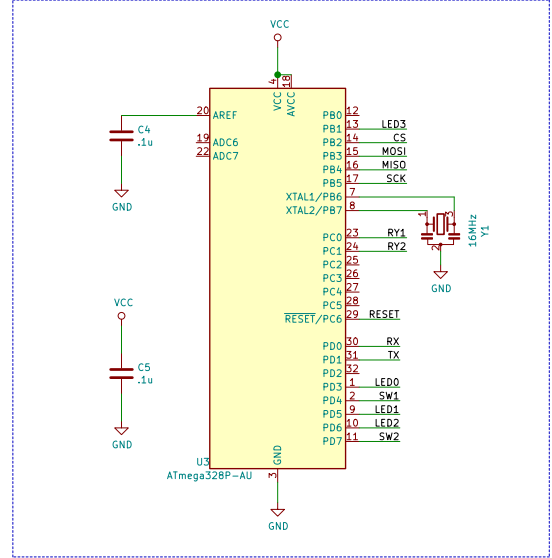
Power Regulator



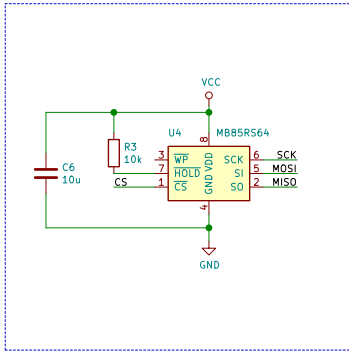
MIDI Input



ATMEGA328-P Microcontroller



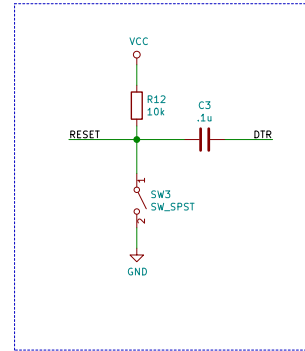
FRAM



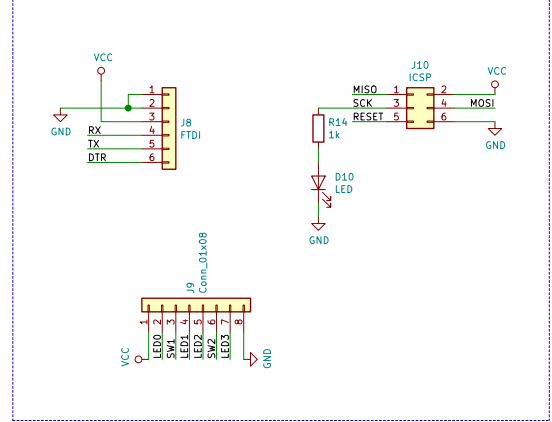
Panel Board

ON DAUGHTER BOARD

Reset



Headers



Relay Drivers

