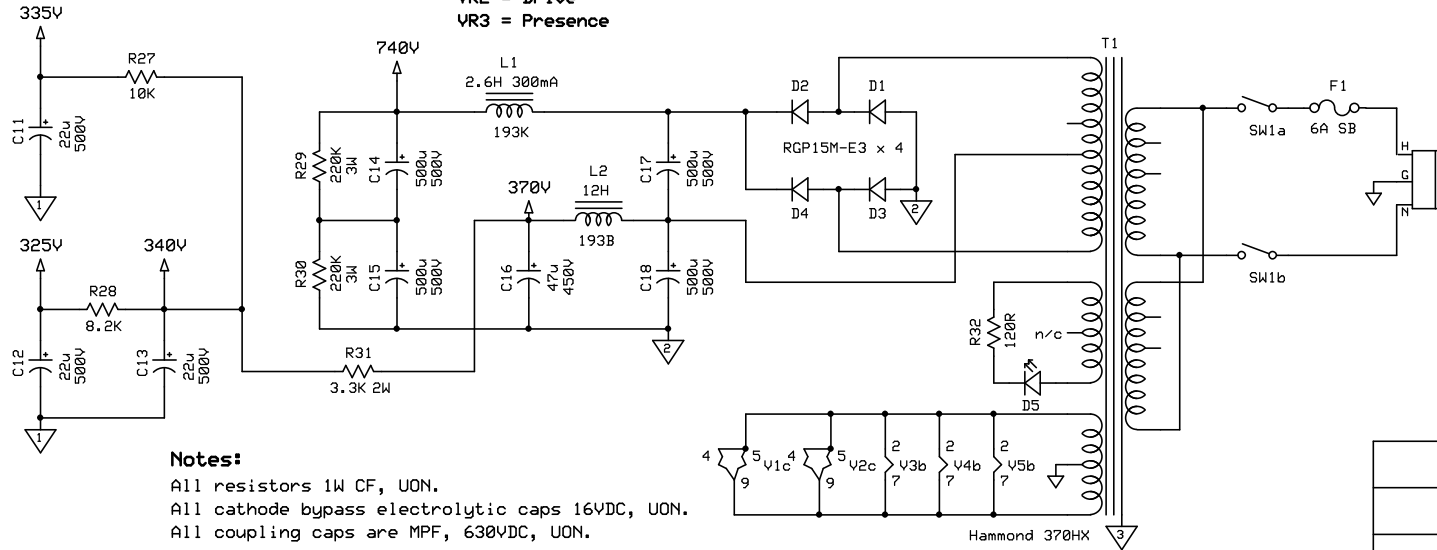


VR1 = Volume  
 VR2 = Drive  
 VR3 = Presence



**Notes:**

All resistors 1W CF, UON.  
 All cathode bypass electrolytic caps 16VDC, UON.  
 All coupling caps are MPF, 630VDC, UON.

**Tube Voltage Chart**

Pin	V1	V2	V3	V4	V5
1	242	n/c	n/c	n/c	n/c
2	g1	n/c	fil	fil	fil
3	1.81	n/c	190	717	717
4	fil	fil	189	368	368
5	fil	fil	g1	g1	g1
6	221	223	n/c	n/c	n/c
7	g1	g1	fil	fil	fil
8	1.55	4.89	15.75	36.8	37.1
9	fil	fil	n/a	n/a	n/a

**S.T.A.C.**

**Woolly Bully v3b**

P. Mitcheltree	Rev 3.0b	Page 1 of 1
	9/15/2018	