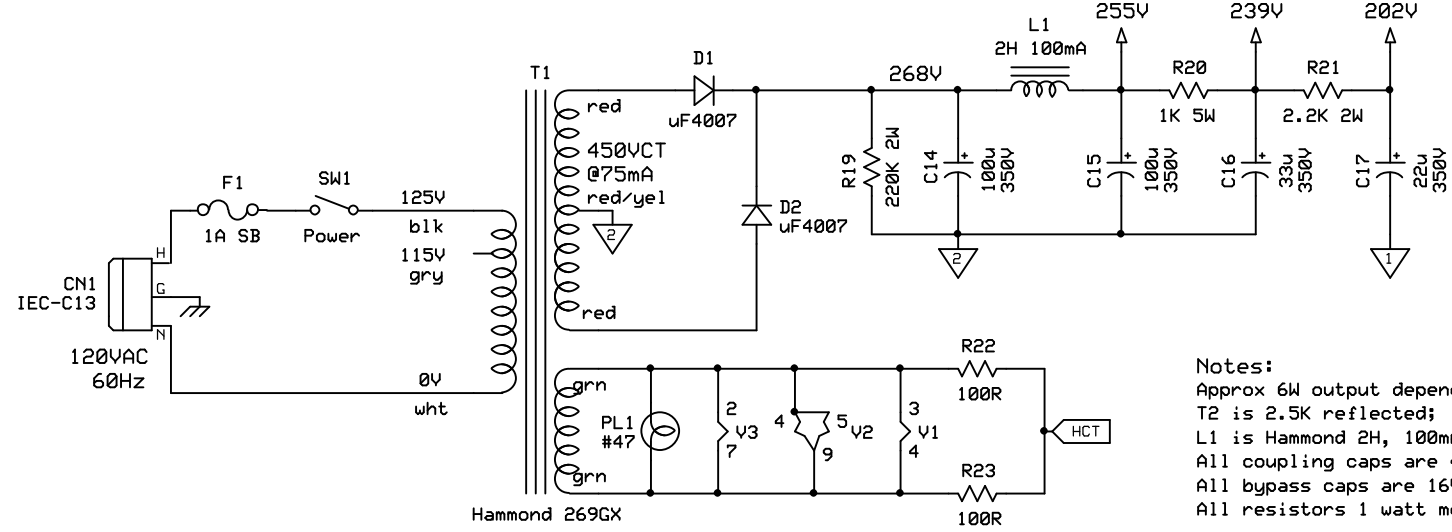


Ig2 = 1.7mA @ idle.
 Ig2 = 9mA @ full power.
 Ik = 66mA @ idle.

Tube Volt Chart

Pin	V1	V2	V3
1	g1	136	n/c
2	1.78	g1	fil
3	fil	1.20	245
4	fil	fil	176
5	155	fil	g1
6	56	134	n/c
7	1.78	g1	fil
8	n/a	1.03	20.7
9	n/a	fil	n/a

Legend:
 n/a = not applicable.
 n/c = no connection.



Notes:
 Approx 6W output depending on T2 Z, bias, etc..
 T2 is 2.5K reflected; >= 60mA DC bias.
 L1 is Hammond 2H, 100mA, model 154M choke.
 All coupling caps are 400VDC.
 All bypass caps are 16VWDC, UON.
 All resistors 1 watt metal film/foil, UON.

- Earth ground.
- Preamp ground - Input jack isolated.
- Power amp ground.
- Output ground - Jack grounded to chassis.