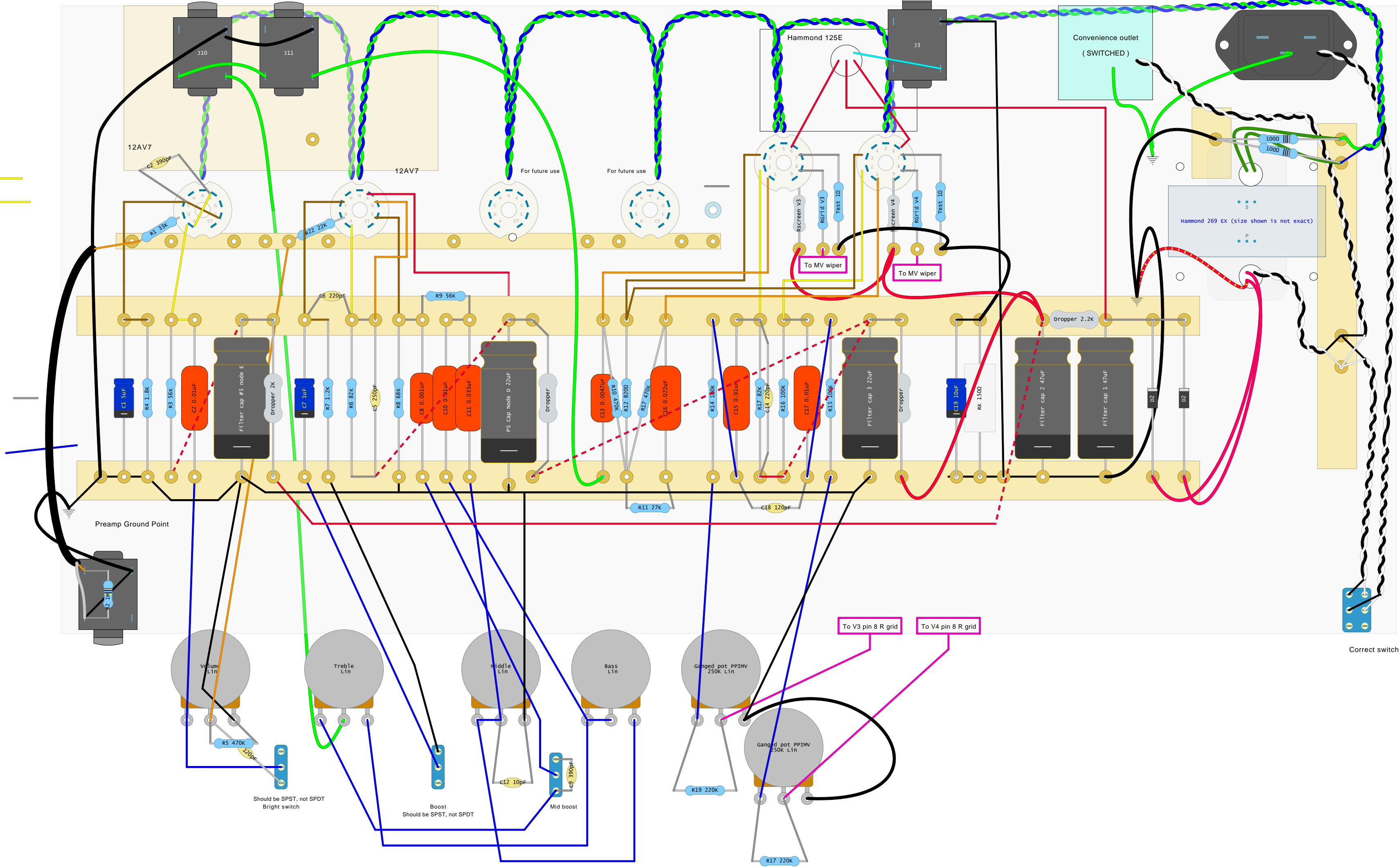


Joey Voltage SS effects loop. Board size 4" x 2"
 Will be installed in future.
 This layout shows passive FX loop wiring per original design

Wall wart for reverb unit.
 Plugged into convenience outlet

Send Jack Return Jack



Preamp Ground Point

Volume Lin

Treble Lin

Middle Lin

Bass Lin

Ganged pot. PP1W. 250K Lin

Ganged pot. PP1W. 50K Lin

Should be SPST, not SPDT
 Bright switch

Boost
 Should be SPST, not SPDT

Mid boost

To V3 pin 8 R grid

To V4 pin 8 R grid

Correct switch is full size DPST

Convenience outlet
 (SWITCHED)

Hammond 269 EX (size shown is not exact)

Hammond 125E

For future use

For future use

12AV7

12AV7

33

310

311

