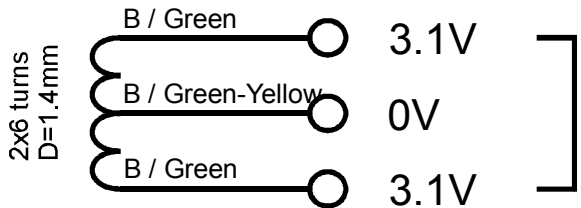
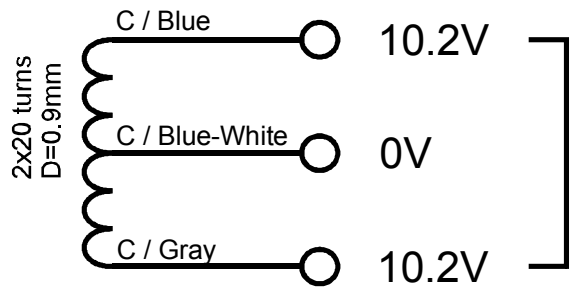
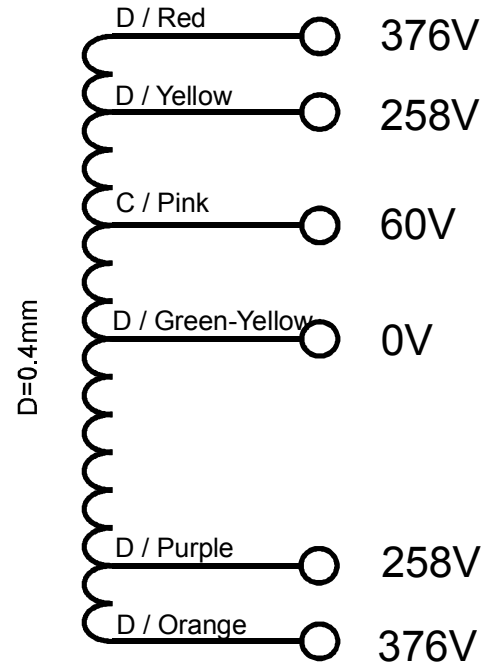
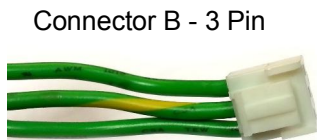
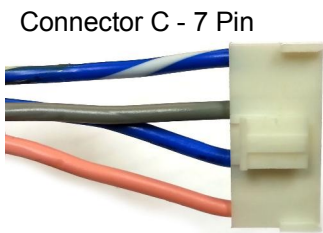
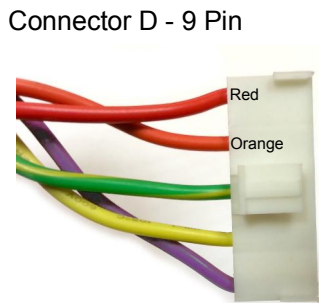
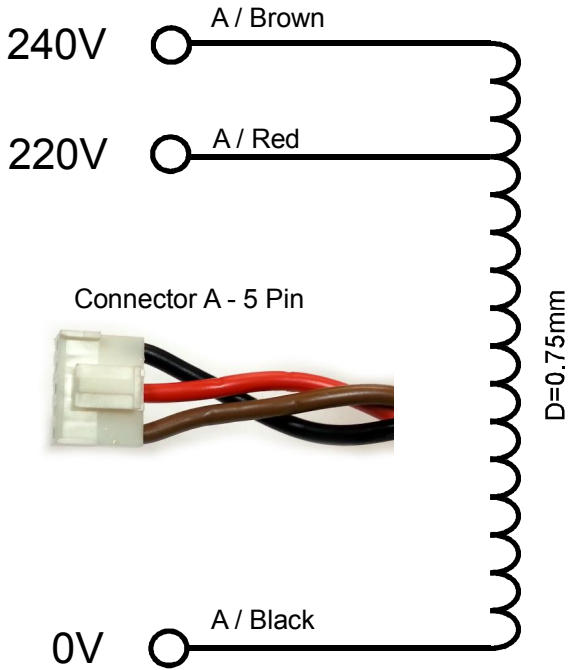


Mains Transformer LINE6 #11-30-0045



Voltages measured with no load.

Line 6 Part Number: 11-30-0045