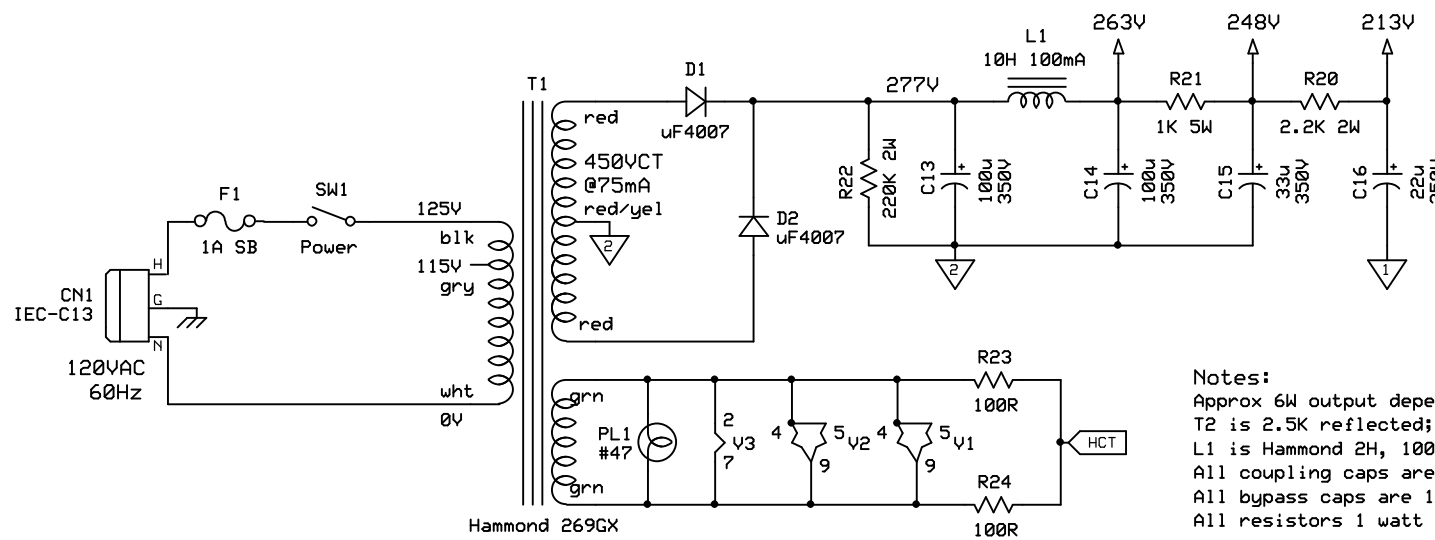


Ig2 = 1.9mA @ idle.  
Ig2 = 9mA @ full power.

8 ohm speaker



**Notes:**  
Approx 6W output depending on T2 Z, bias, etc..  
T2 is 2.5K reflected; >= 60mA DC bias.  
L1 is Hammond 2H, 100mA, model 154M choke.  
All coupling caps are 400WVDC.  
All bypass caps are 16VWDC, UON.  
All resistors 1 watt metal film/foil, UON.

**Tube Volt Chart**

Pin	V1	V2	V3
1	160	145	n/c
2	g1	g1	fil
3	1.56	1.26	255
4	fil	fil	183
5	fil	fil	g1
6	n/c	124	n/c
7	n/c	g1	fil
8	n/c	1.07	19.1
9	fil	fil	n/a

**Legend:**  
n/a = not applicable.  
n/c = no connection.

- Earth ground.
- Preamp ground - Input jack isolated.
- Power amp ground.
- Output ground - Jack grounded to chassis.