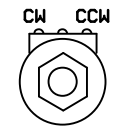
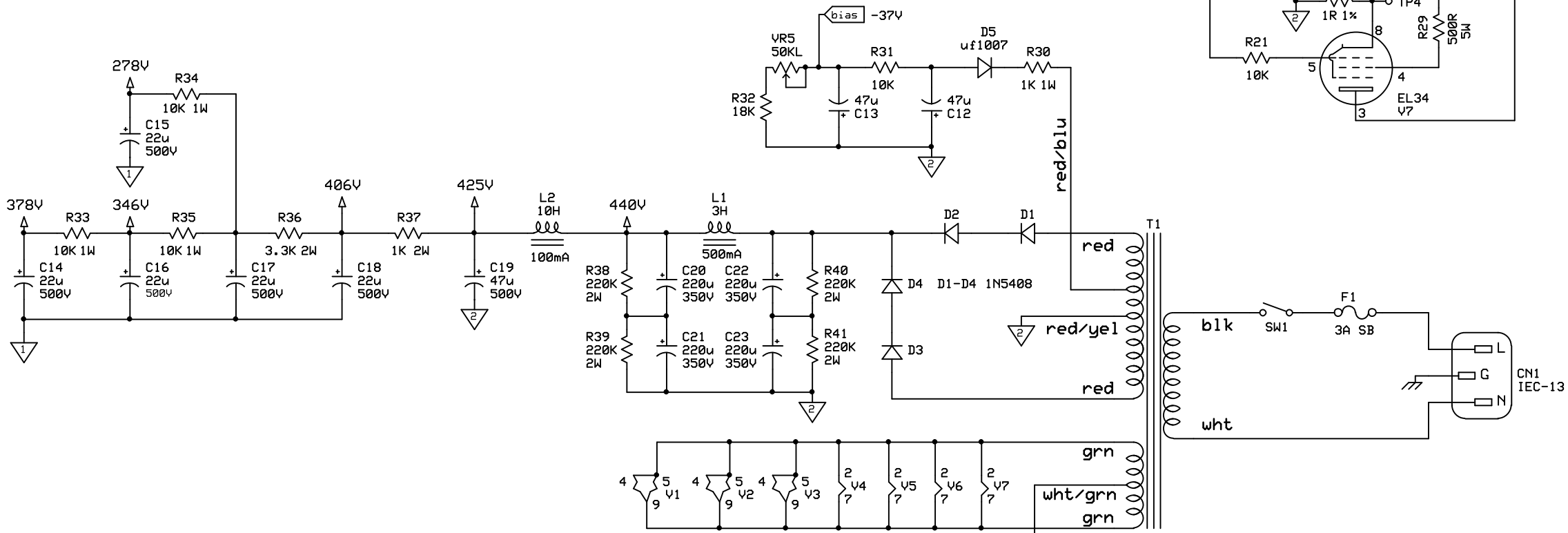
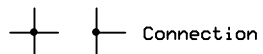


Cut control not built on breadboard



Pot Front View



Connection



No Connection

L1 = Hammond 193M ; 3H @ 500mA ; 35DCR
L2 = Hammond 158M ; 10H @ 100mA ; DCR 262ohm

S.T.A.C.		
100L15L12 - Lucky 7		
P. Mitcheltree	Rev 2.0a 3/24/2013	1 of 1 ANSI B