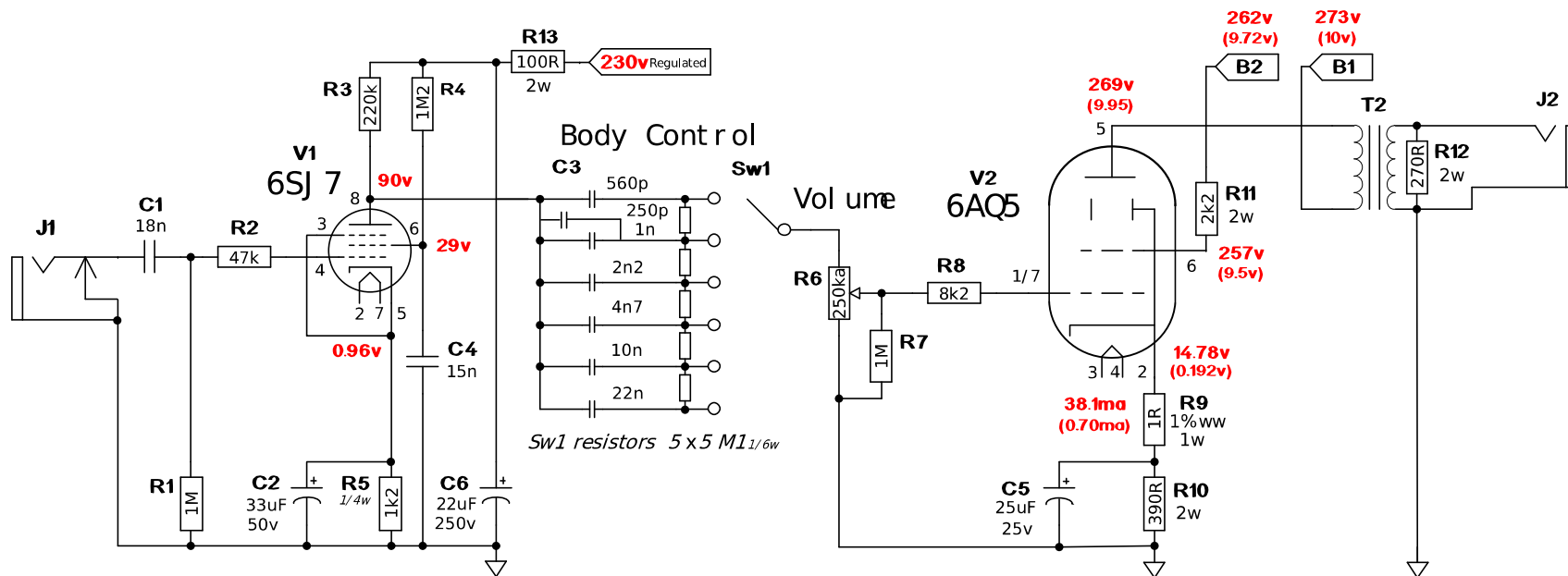


6SJ7/6AQ5 SE Guitar Amp

based on Dave Jones' Octal One



Unrated resistors 0.5w
Pin 1 of 6SJ7 grounded.
T2 Edcor XSE- 10- 8- 5k

6SJ7/6AQ5 Guitar Amp		
"Warped Octal One"		
davent	Rev 1.0	Page #1 Amp
	12/12/2010	