

V1
12AT7

V2
6X4
A 6X4
#13-02

V2
12AT7

V5
12AT7

V4
12AC6B

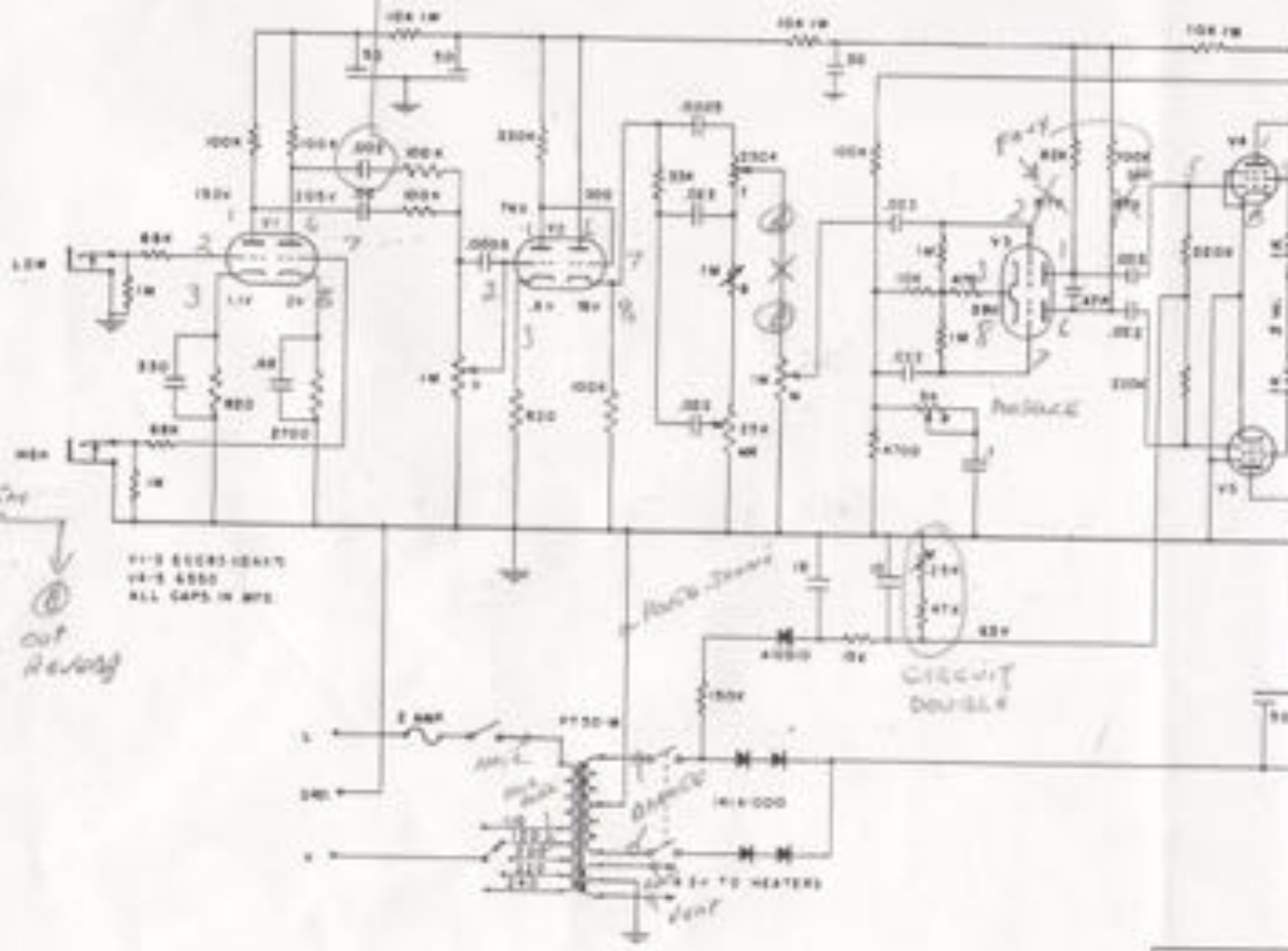
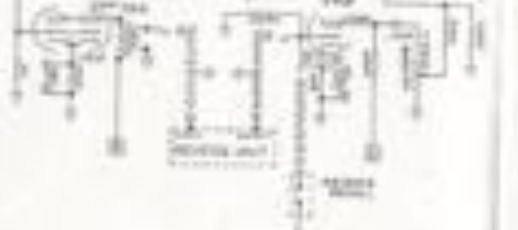
6-7025

V4
12AC6B

6-7025

V3
12AT7

12AT7



V1-5 ELECTRO-HEAT
 V4-5 6X4
 ALL CAPS IN MFD

Out Relay

Volume - 100 - 10
 3.21 - 4

SON MASTE
 MODEL NO. 2000
 DRAWN BY: R. W.
 J. W. MARSHALL, JR.
 SCALE