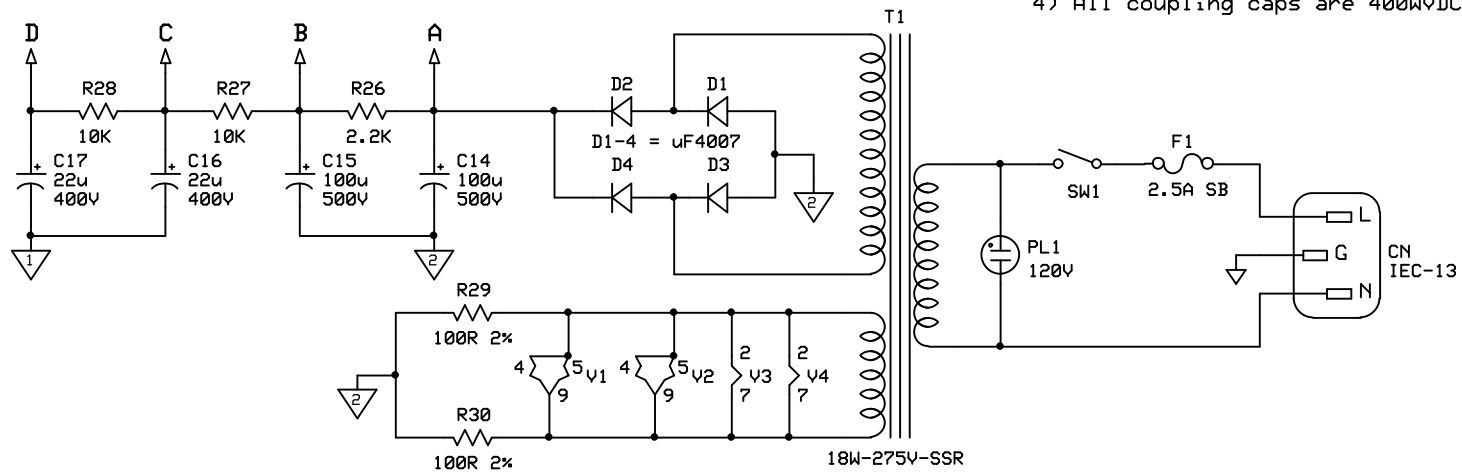


NOTES:

- 1) All resistors 1W carbon film, 5% tolerance, UON.
- 2) All power resistors metal foil/film, 5% tolerance.
- 3) VR1 & VR2 are dual-gang 500K Audio taper potentiometers.
- 4) All coupling caps are 400WVDC PPF, UON.

Tube Voltage Chart

Pin	V1	V2	V3	V4
1				
2	g1	g1	fil	fil
3				
4	fil	fil		
5	fil	fil	g1	g1
6			n/c	n/c
7	g1	g1	fil	fil
8				
9	fil	fil	n/a	n/a



<b>S.T.A.C.</b>		
<b>Marmalade 6V6 Terror</b>		
P. Mitcheltree	Rev 1.0 5/2/2018	Page 1 of 1