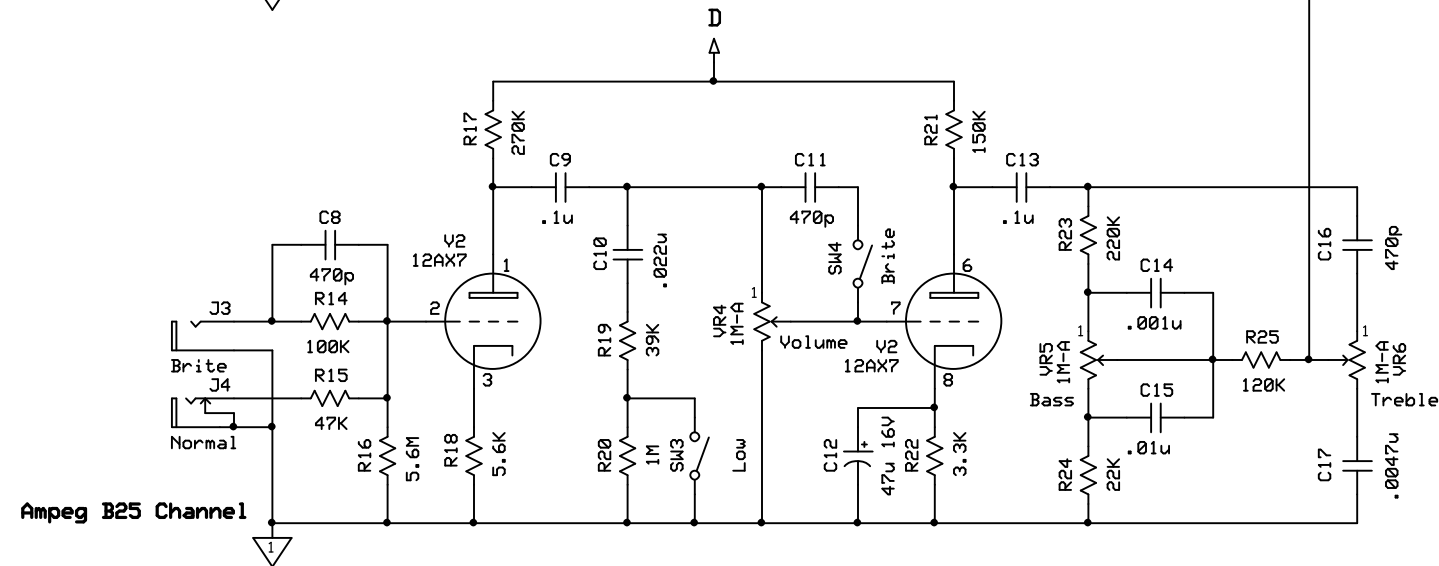


Sunn 200 Channel



Ampeg B25 Channel

NOTES:  
 All resistors 1W Metal Film/Foil, 5% Tol., UNO.  
 All capacitors 400WVDC or greater, 10% Tol. or better.

<b>Forum Amps</b>		
<b>Sun 200 + Ampeg B25 Preamps</b>		
Ernie/PRR/Sluckey/Pete	Rev 1.0	Page 1 of 3
	5/30/2020	