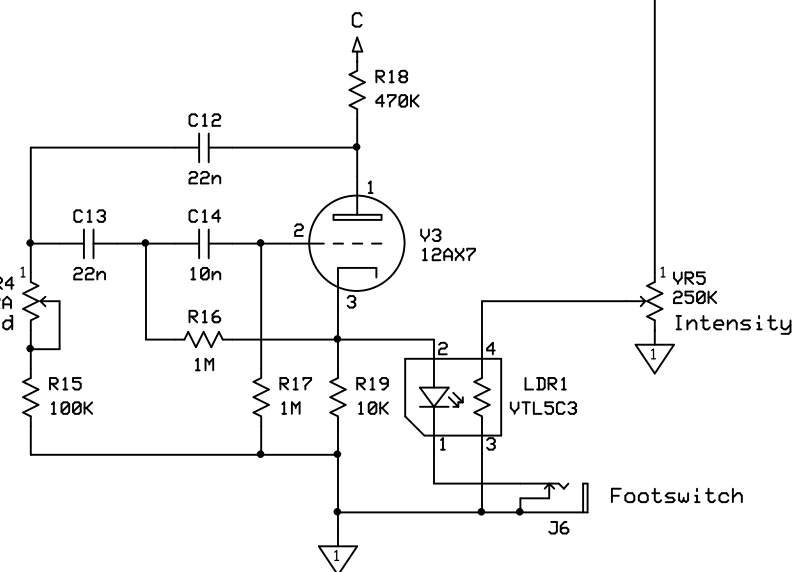
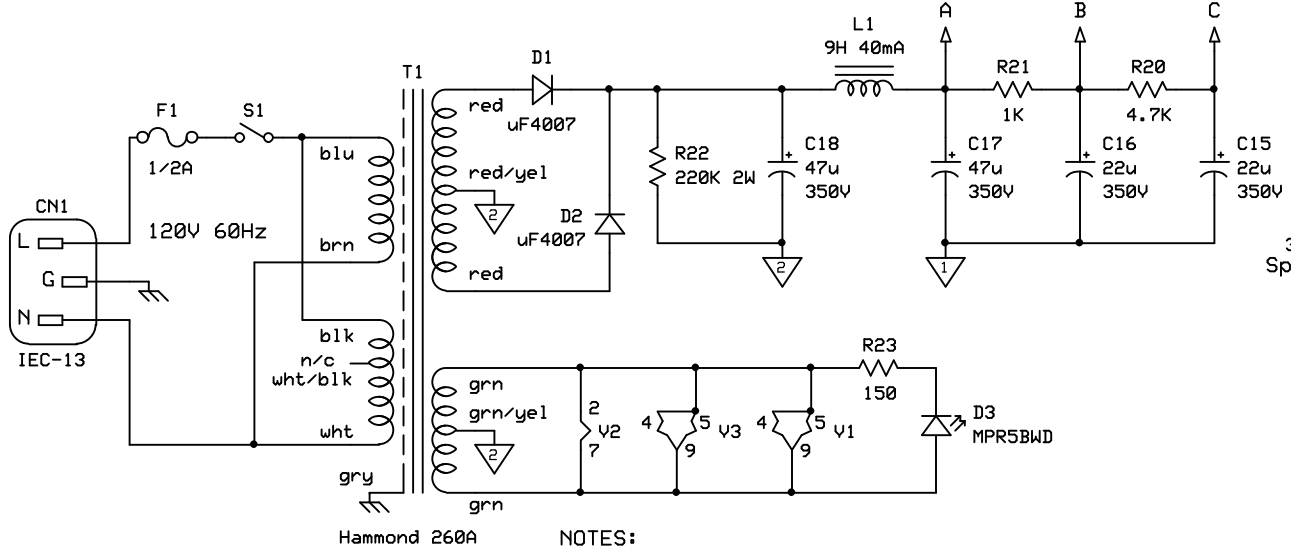


Reverb tank is 8/10ohm input ; 220ohms output.
Typical p/n used is 4AB3C1B by Accutronics.



Tube Voltage Chart

	V1	V2	V3
1	148	n/c	128
2	g1	fil	g1
3	1.21	236	1.16
4	fil	247	fil
5	fil	g1	fil
6	177	n/c	149
7	g1	fil	g1
8	16.5	16.15	1.20
9	fil	n/a	fil

n/a = not applicable
n/c = not connected

A = 248V
B = 244V
C = 229V

NOTES:
L1 is Hammond p/n 156G - 9H @ 40mA ; 300DCR.
All resistors 1W metal film/foil, 5% low noise 50ppm, UON.
All coupling capacitors are 400WVDC, PPF, UON.
All bypass capacitors are 16WVDC polarized electrolytic, UON.
S. Lucky published and contributes the Trem-O-Nator tremelo ckts.
Breadboard prototype uses Siliconix VTL5C1 vactrol and the tremelo effect is quite satisfactory.

S.T.A.C.		
Reverb + Tremelo		
P. Mitcheltree	Rev 1.0a 4/15/2020	Page 1 of 1