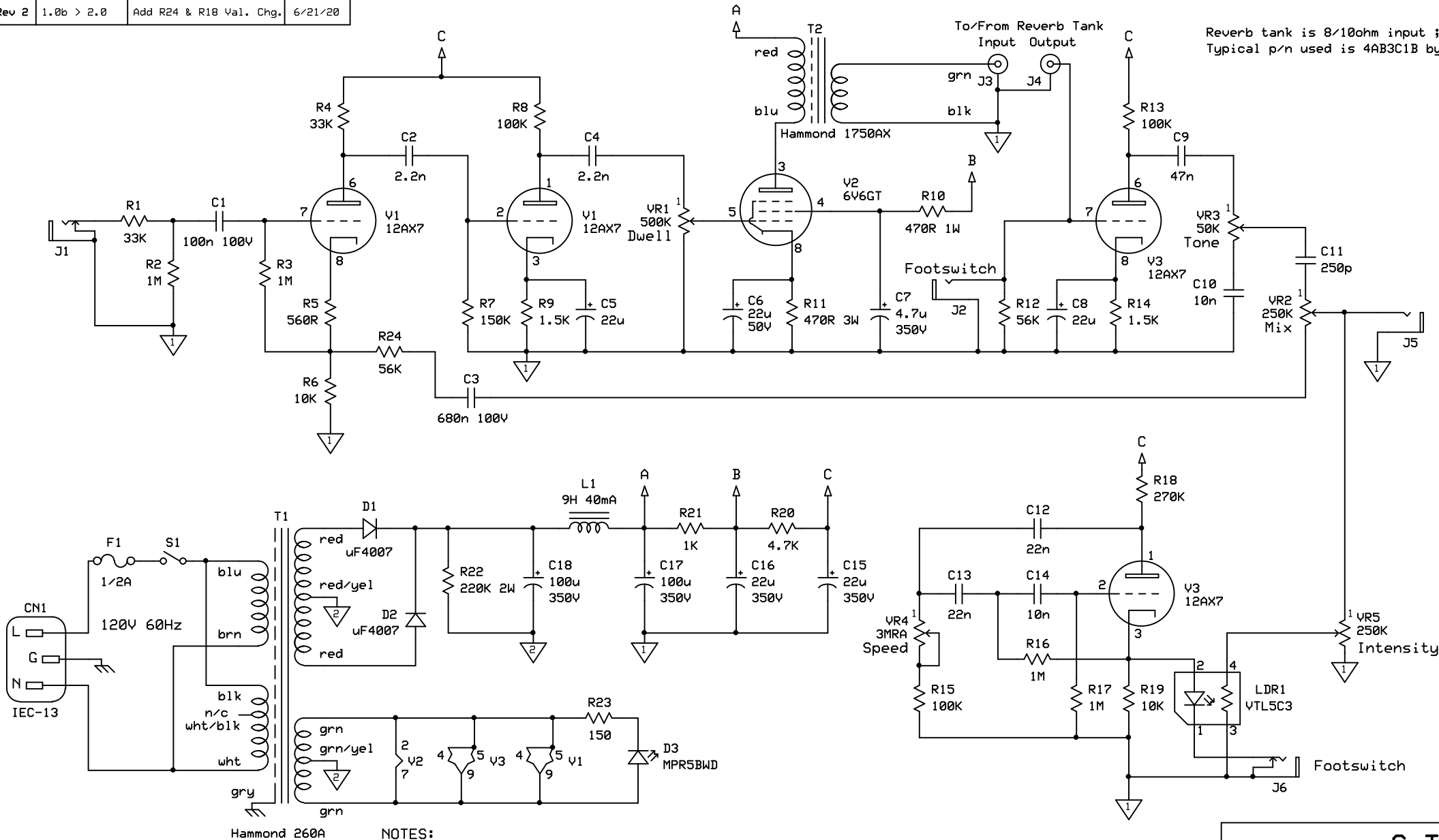


Rev 1	1.0a > 1.0b	C17 & C18 to 100uF	6/19/20
Rev 2	1.0b > 2.0	Add R24 & R18 Val. Chg.	6/21/20



Reverb tank is 8/10ohm input ; 220ohms output.  
Typical p/n used is 4AB3C1B by Accutronics.

Tube Voltage Chart

	V1	V2	V3
1	145	n/c	140
2	g1	fil	g1
3	1.21	236	1.22
4	fil	247	fil
5	fil	g1	fil
6	177	n/c	149
7	g1	fil	g1
8	16.5	16.15	1.20
9	fil	n/a	fil

n/a = not applicable  
n/c = not connected

A = 248V  
B = 244V  
C = 229V

NOTES:  
L1 is Hammond p/n 156G - 9H @ 40mA ; 300DCR.  
All resistors 1W metal film/foil, 5% low noise 50ppm, UON.  
All coupling capacitors are 400WVDC, PPF, UON.  
All bypass capacitors are 16WVDC polarized electrolytic, UON.  
S. Lucky published and contributes the Trem-O-Nator tremelo ckts.  
Breadboard prototype uses Siliconix VTL5C1 vactrol and the tremelo effect is quite satisfactory.

<b>S.T.A.C.</b>		
<b>Reverb + Tremelo</b>		
P. Mitcheltree	Rev 2.0 4/15/2020	Page 1 of 1