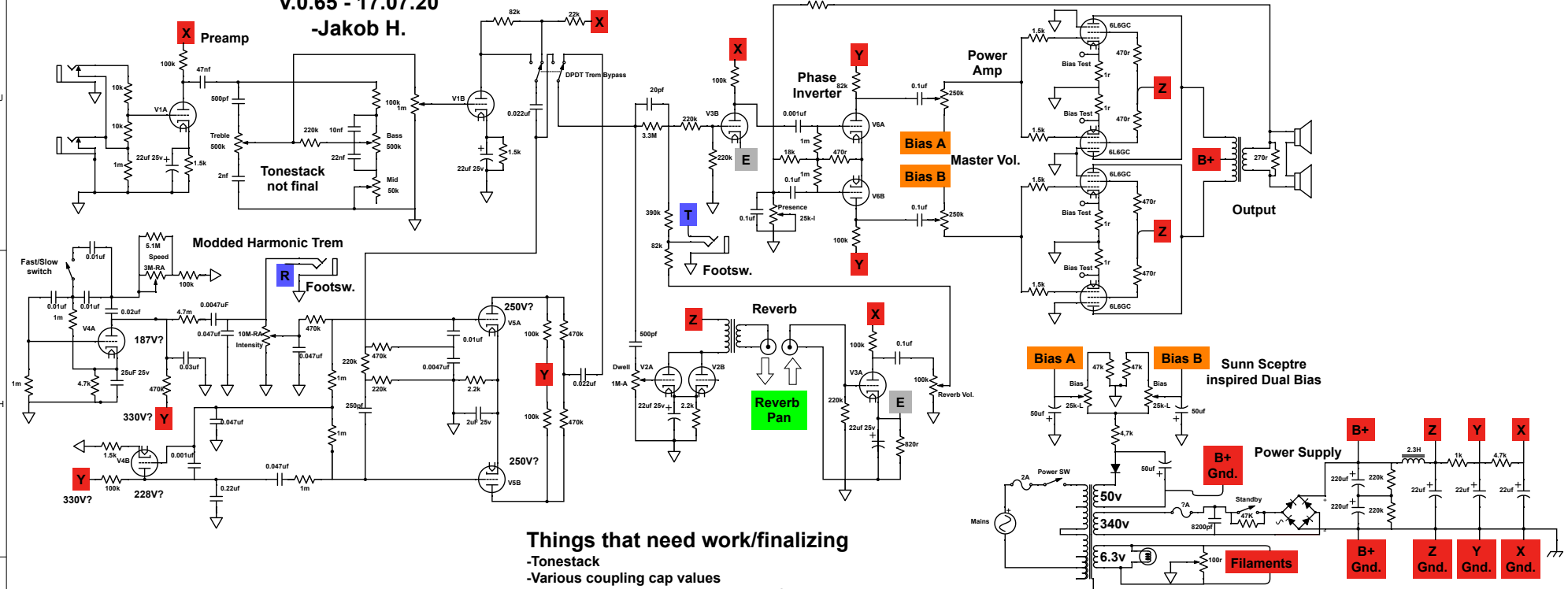


Harmonic Twin Rebuild - Work in progress

V.0.65 - 17.07.20

-Jakob H.



Things that need work/finalizing

- Tonestack
- Various coupling cap values
- NFB values - Will also be tweaked in final build
- Bias circuit values
- Placement of standby switch in circuit
- Mixing section between V1B and V3B
- I am fine with trem bypass sw. causing pops. Will switch only in standby