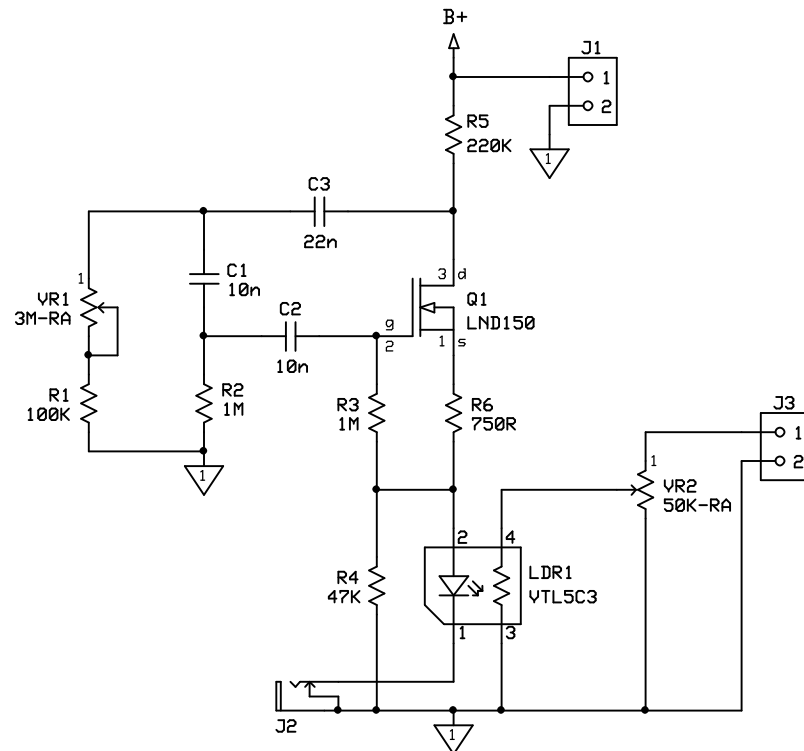


NOTES:

Design provided by and ckt. tested by S. Delrefugio. Based on S. Lucky's valve version.  
All resistors are 500mW metal film/foil or carbon film.  
All capacitors are 400VDC minimum.  
PCB follows and linked to this schematic.  
PCB is 2.25" x 2.5". PCB Mouning centers are 1.75" x 2.0".



Forum Amps

HV MOSFET Trem-O-Nator PCB

S. Lucky  
S. Delrefugio  
P. Mitcheltree

Rev 1.0  
7/21/2020

Page 1 of 1