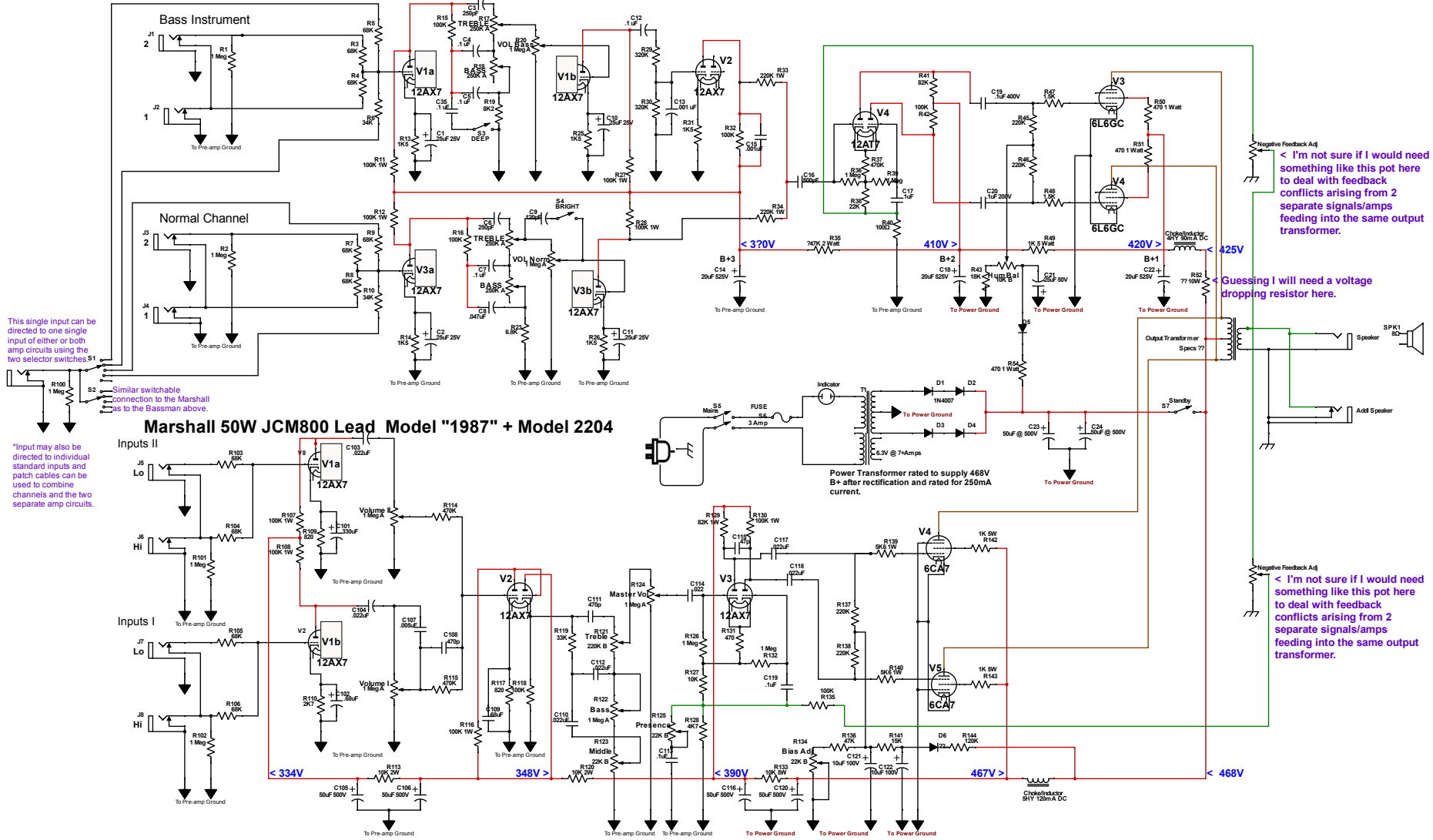


Fender Bassman AA864 (1964-65) with some elements of AB165 (1965) and 1964 "Tuxedo" circuits



This single input can be directed to one single input of either or both amp circuits using the two selector switches S1

Similar switchable connection to the Marshall as to the Bassman above.

*Input may also be directed to individual standard inputs and patch cables can be used to combine channels and the two separate amp circuits.

< I'm not sure if I would need something like this pot here to deal with feedback conflicts arising from 2 separate signals/amps feeding into the same output transformer.

Guessing I will need a voltage dropping resistor here.

< I'm not sure if I would need something like this pot here to deal with feedback conflicts arising from 2 separate signals/amps feeding into the same output transformer.