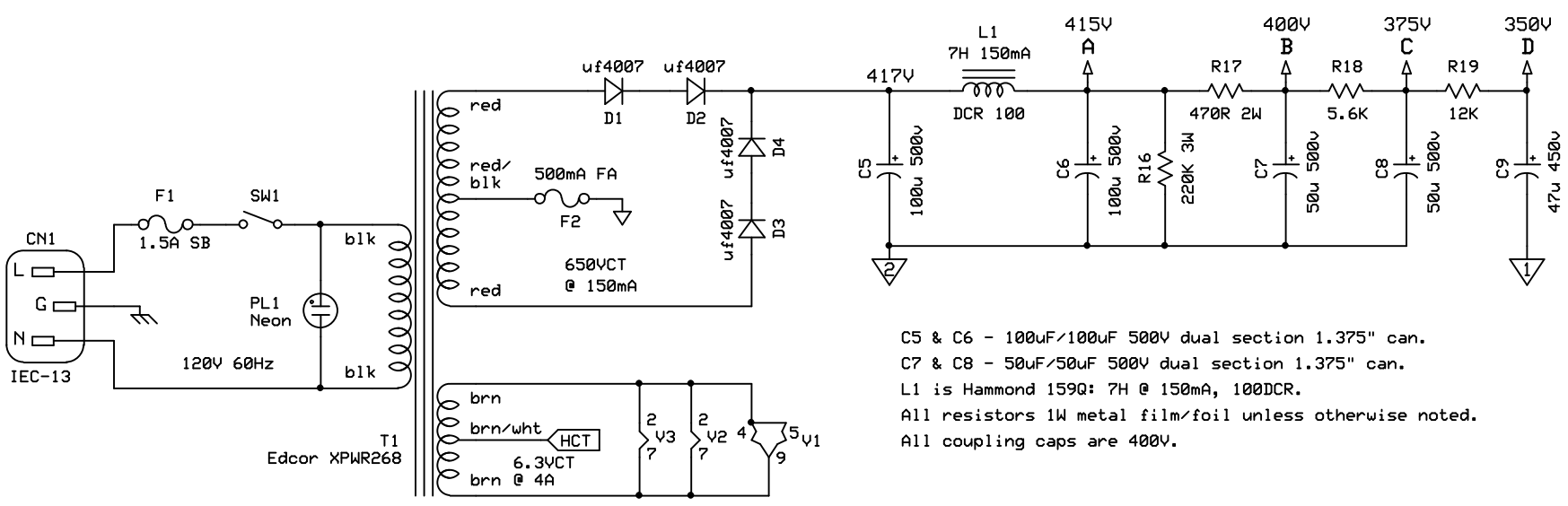


wht/blu - not used  
 T2 Eddor CSXE-8-3.5K  
 3.5K:8 25W SE



C5 & C6 - 100uF/100uF 500V dual section 1.375" can.  
 C7 & C8 - 50uF/50uF 500V dual section 1.375" can.  
 L1 is Hammond 159Q: 7H @ 150mA, 100DCR.  
 All resistors 1W metal film/foil unless otherwise noted.  
 All coupling caps are 400V.

Tube Voltage Chart

	V1	V2	V3
1	130	28.5	28.5
2	g1	fil	fil
3	6.0	403	403
4	fil	395	395
5	fil	g1	g1
6	140	n/c	n/c
7	g1	fil	fil
8	6.4	28.5	28.5
9	fil	n/a	n/a

<b>S.T.A.C.</b>		
<b>Simple 22W SE</b>		
P. Mitcheltree	Rev 1A 7/30/2020	Page 1 of 1