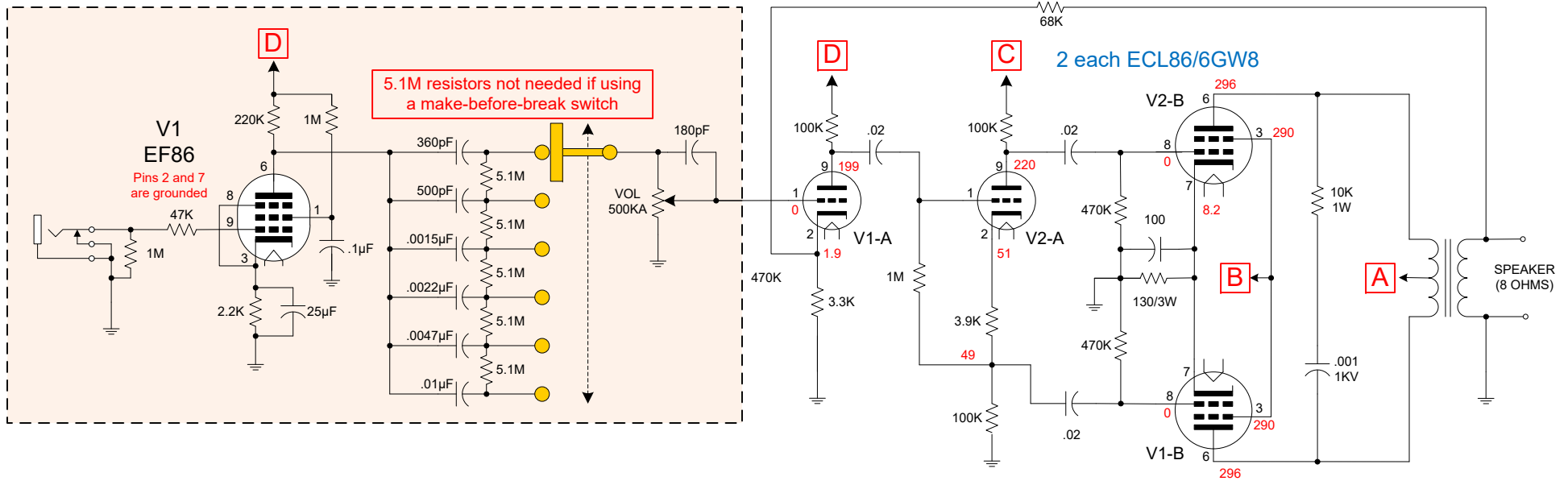


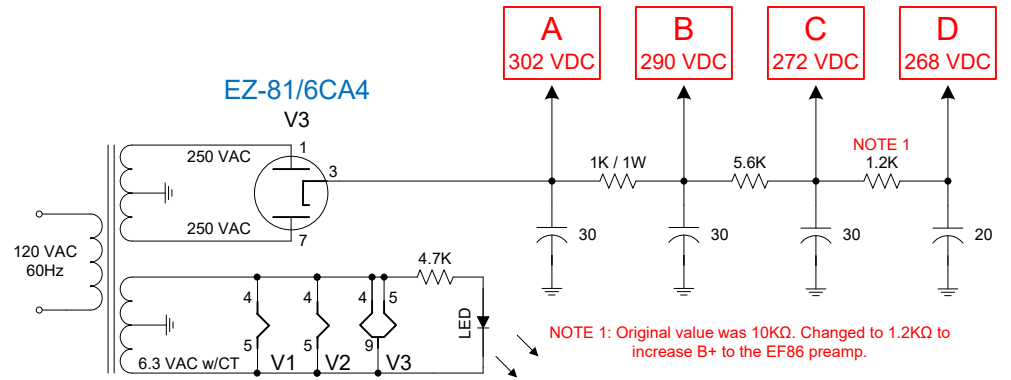
Voxy Pee Wee HAMMOND (AO-44 conversion)

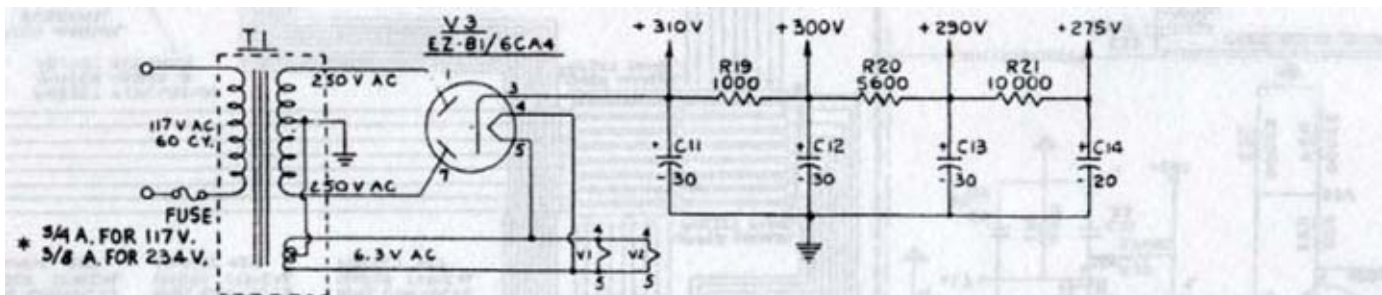
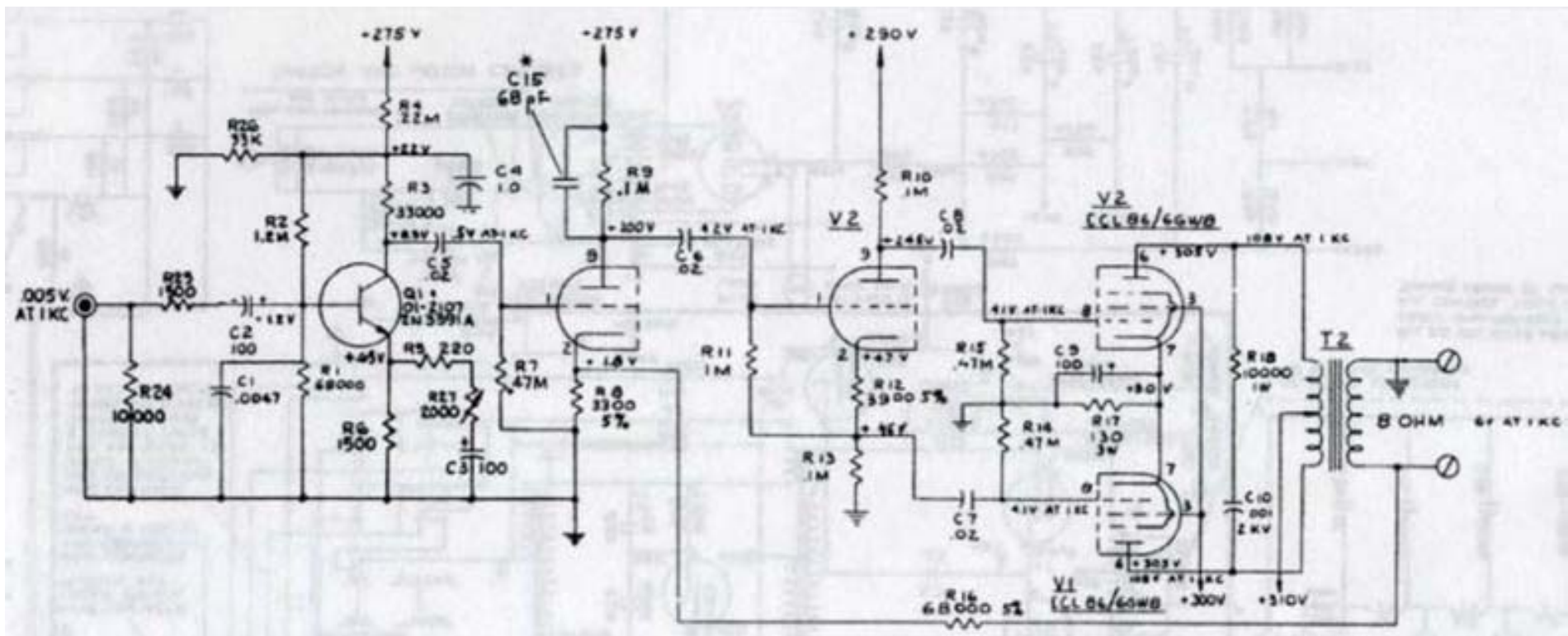
Schematic by Steve Luckey on August 12, 2020



Conversion notes

- Removed transistor circuitry and Volume Compressor.
- Power amp and power supply are completely stock AO-44 except for note 1.
- Added Vox EF86 preamp.
- Voltages measured with Fluke 87V. Line voltage set to 120VAC.
- Possibly remove R/C filter across OT primary.
- Possibly remove 68K NFB resistor.





NOTE!
 Not all AO-44s are the same.
 This later schematic matches
 the actual amp used in this
 conversion.

*These components will
 only be found in AO-44
 amplifiers marked
 with Code "E".

