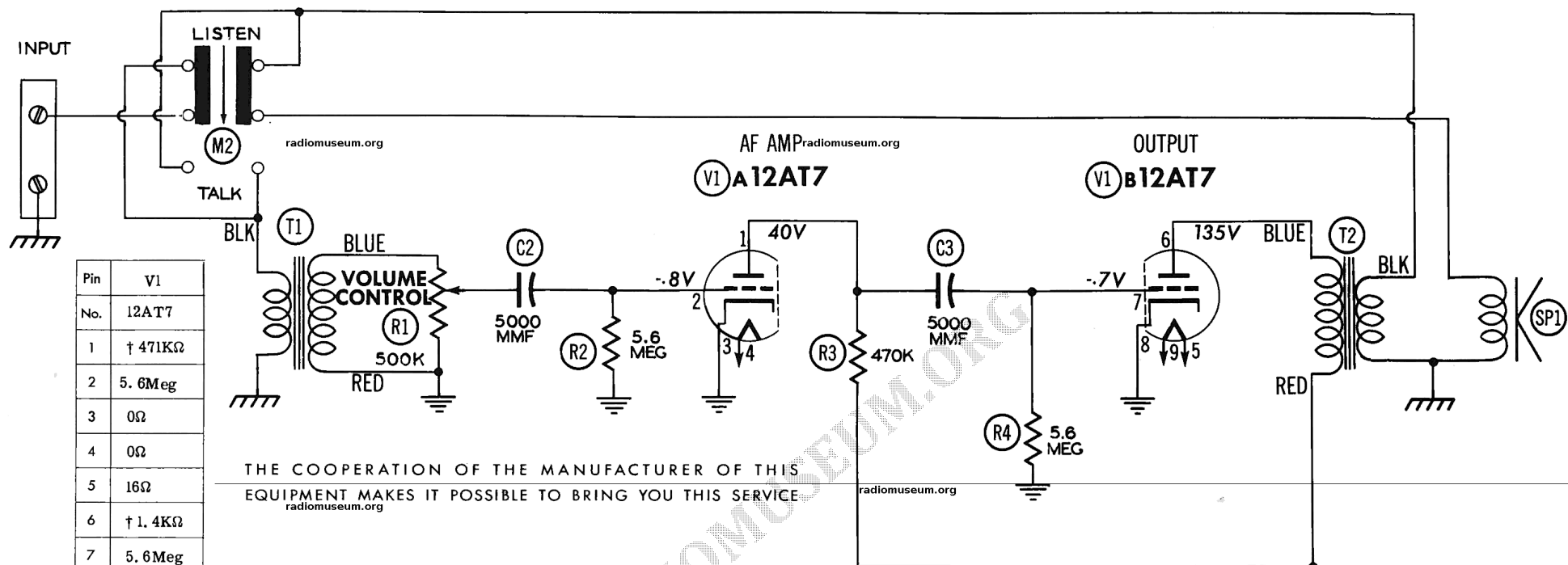


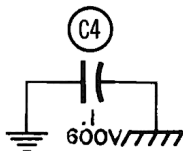
tuttle.jonathan.c@gmail.com



Pin No.	V1
1	† 471KΩ
2	5.6Meg
3	0Ω
4	0Ω
5	16Ω
6	† 1.4KΩ
7	5.6Meg
8	0Ω
9	8Ω

THE COOPERATION OF THE MANUFACTURER OF THIS EQUIPMENT MAKES IT POSSIBLE TO BRING YOU THIS SERVICE

† MEASURED FROM OUTPUT OF M1.

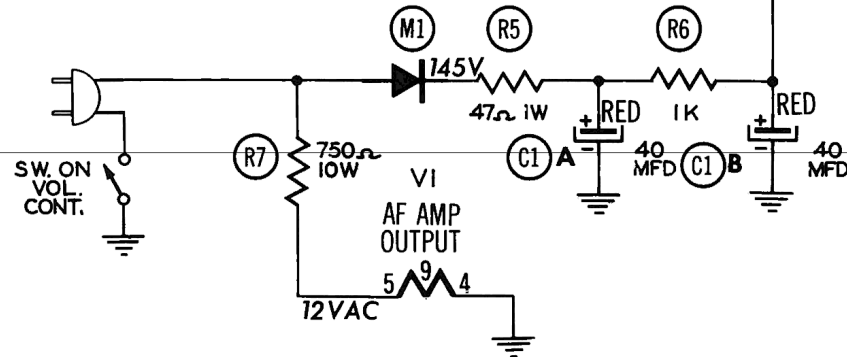


DENOTES B— DENOTES CHASSIS

1. DC voltage measurements taken with vacuum tube voltmeter; AC voltages measured at 1000-ohms per volt.
2. Socket connections are shown as bottom views.
3. Measured values are from socket pin to common negative.
4. Line voltage maintained at 117 volts for voltage readings.
5. Nominal tolerance on component values makes possible a variation of + 15% in voltage and resistance readings.
6. Volume control at maximum, no signal applied for voltage measurements.

A PHOTOFAC STANDARD NOTATION SCHEMATIC

© Howard W. Sams & Co., Inc. 1956



317-8