

*Do you want more tremolo? This could be for you. Read on...*

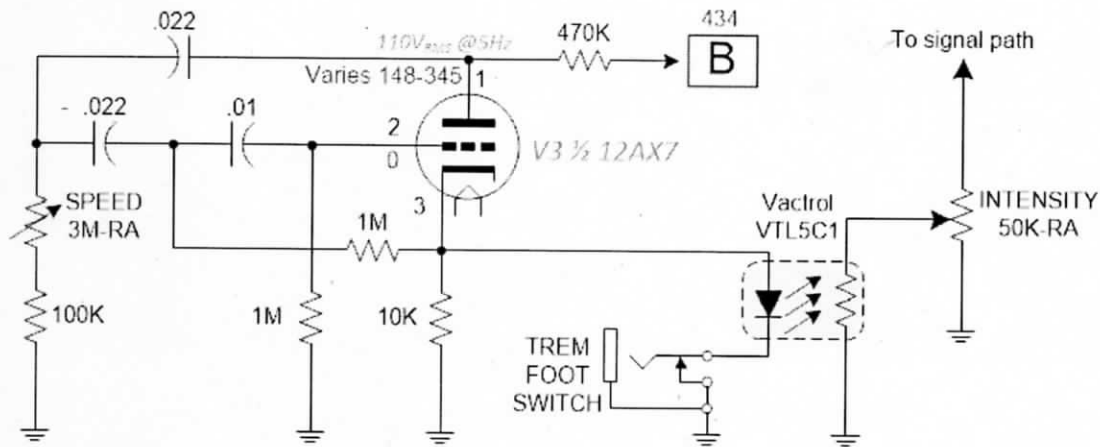
This is a typical tremolo oscillator as found in many Fender amps, but the cathode resistor and bypass cap have been replaced with the LED portion of the optocoupler. This circuit produces a very strong tremolo effect without any annoying ticking, breathing, thumping, or pumping sounds. The circuit simply taps into the signal path and operates by smoothly shunting the signal to ground at the tremolo speed. The speed range is greater than the typical Fender circuit.

Intensity pot value depends on which part of the signal path you tap into. The 50K-RA pot shown works very well in a Fender AB763 amp. You may need a different value pot to use in another circuit. Some circuits may also require a series resistor between the INT pot and the signal path. Experiment to determine the pot value and/or series resistor value needed for a particular amp.

## TREM-O-NATOR

By sluckey 02/12/2019

Final version as used in my '67 AB763 Bandmaster



I've installed this exact circuit in my '67 AB763 Bandmaster. Voltages shown are actual measurements with a Fluke 87V. Here's the schematic of my Bandmaster showing exactly how I installed it.

['67 Bandmaster documents](#)

[Return to Index](#)