

AMP ASR-120 PARTS LIST AND DESCRIPTIONS

TRANSFORMER (POWER)

ITEM No.	USE	TYPE	REPLACEMENT DATA	
			AMPEREX	GENERAL ELECTRIC
V7	Left Channel A.F. Amp. - Phase Inverter	7199		
V8	Left Channel Output	7408 (6V6)*		
V9	Left Channel Output	7408 (6V6)*		

\* Alternate

ITEM No.	RATING		REPLACEMENT DATA				NOTES
	PRI.	SEC.	Stromberg-Carlson PART No.	Merit PART No.	Stancor THORADSON PART No.	Triad PART No.	
T1	117VAC @ 1A	640VCT @ .196A	161000-237	161000-237			
	SEC. 3	SEC. 4	SEC. 5				
	6.3VAC @ 1.85A						

ELECTROLYTIC CAPACITORS

ITEM No.	RATING	REMARKS	REPLACEMENT DATA		
			Stromberg-Carlson PART No.	General Electric PART No.	Pyramid PART No.
C52A	40		111000-096	XC4-47	TMQ-4502
C53	450				TD-20-350
C54	350				
C55	350				
C56	350				
C57	2,0mid 200V				
C58	.05 400V				
C59	.05 400V				
C60	.05 400V				
C61	.05 400V				
C62	2,0mid 200V				
C63A	.01 1400V				
C63B	.01 1400V				
C64	.05 600V				

\* Not normally in distributor's stock. Available thru distributor on order to manufacturer.

TRANSFORMER (AUDIO OUTPUT)

ITEM No.	IMPEDANCE	REPLACEMENT DATA				NOTES
		Stromberg-Carlson PART No.	Merit PART No.	Stancor PART No.	Triad PART No.	
T2	6000Ω	161000-184	A-2902	A-3824	22588	S-55X
T3	6000Ω	161000-184	A-2902	A-3824	22588	S-55X

FIXED CAPACITORS

ITEM No.	RATING	REMARKS	REPLACEMENT DATA		
			AEROVOX PART No.	Centralab PART No.	Cornell-Dubilier PART No.
C53	.05 400V		P488N-05	DD-503	CUB455
C54	.05 400V		D1-47	DD-470	CUB447
C55	.05 400V		P488N-05	DD-503	CUB455
C56	.05 400V		P488N-05	DD-503	CUB455
C57	2,0mid 200V				WMEF3W2E
C58	.05 400V		P488N-05	DD-503	CUB455
C59	.05 400V		D1-47	DD-470	L10Q47
C60	.05 400V		P488N-05	DD-503	CUB455
C61	.05 400V		P488N-05	DD-503	CUB455
C62	2,0mid 200V				WMEF3W2E
C63A	.01 1400V		DAC-27	DD16-103	HVE1RS1
C63B	.01 1400V		DAC-27	DD16-103	HVE1RS1
C64	.05 600V		P688N-05	DD-503	CUB655

\* Not normally in distributor's stock. Available thru distributor on order to manufacturer.

SPEAKER

ITEM No.	SIZE	TYPE	REPLACEMENT DATA		NOTES
			Stromberg-Carlson PART No.	QUAM PART No.	
SP1	12" PM	14-16Ω	155009-086*	12A4AZ16	* All Models using Amp. Chassis ASR-120 except SP-771, RP-781 † Models SP-711, RP-781
SP2	9" x 9" PM	8-8Ω	155009-084	69A2Z8	
SP3	9" x 9" PM	8-8Ω	155009-083*	35A05Z8	
SP4	12" PM	8-8Ω	155009-086*	12A4AZ16	
SP5	6" x 9" PM	8-8Ω	155009-085*	69A2Z8	
SP6	3" x 5" PM	8-8Ω	155009-084†	35A05Z8	
	15" PM		155009-084†		
	3" x 5" PM		155009-088†		

FUSES

ITEM No.	TYPE	RATING	REPLACEMENT DATA		
			Stromberg-Carlson PART No.	Littelfuse PART No.	BUSS PART No.
M5	3AG P/G	3A	555020-325	318003	GVY3

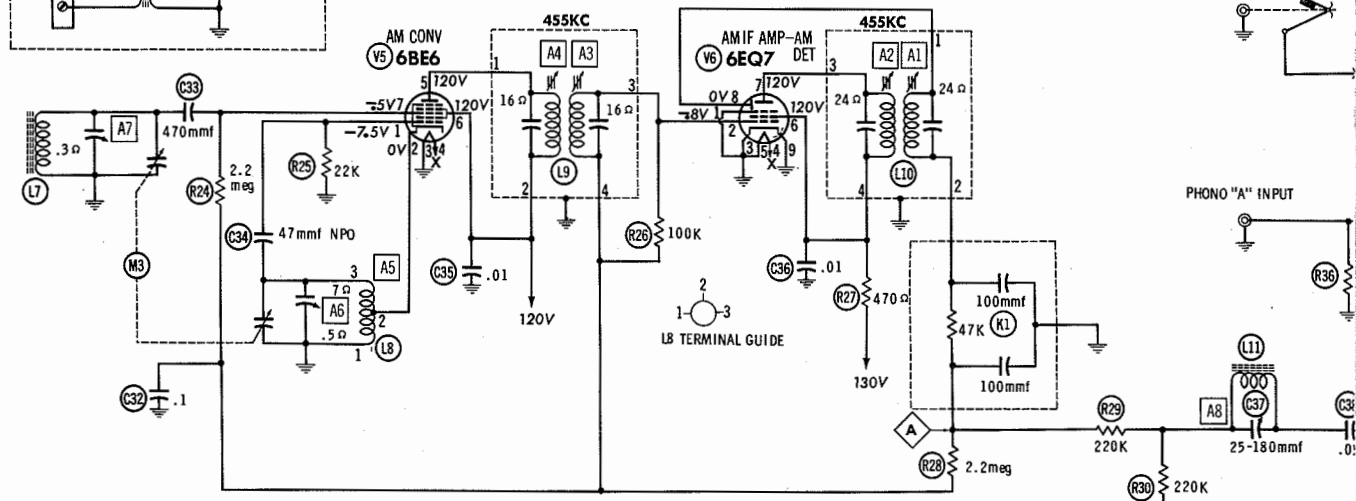
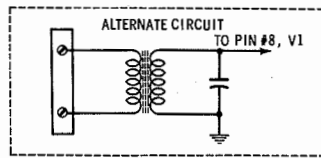
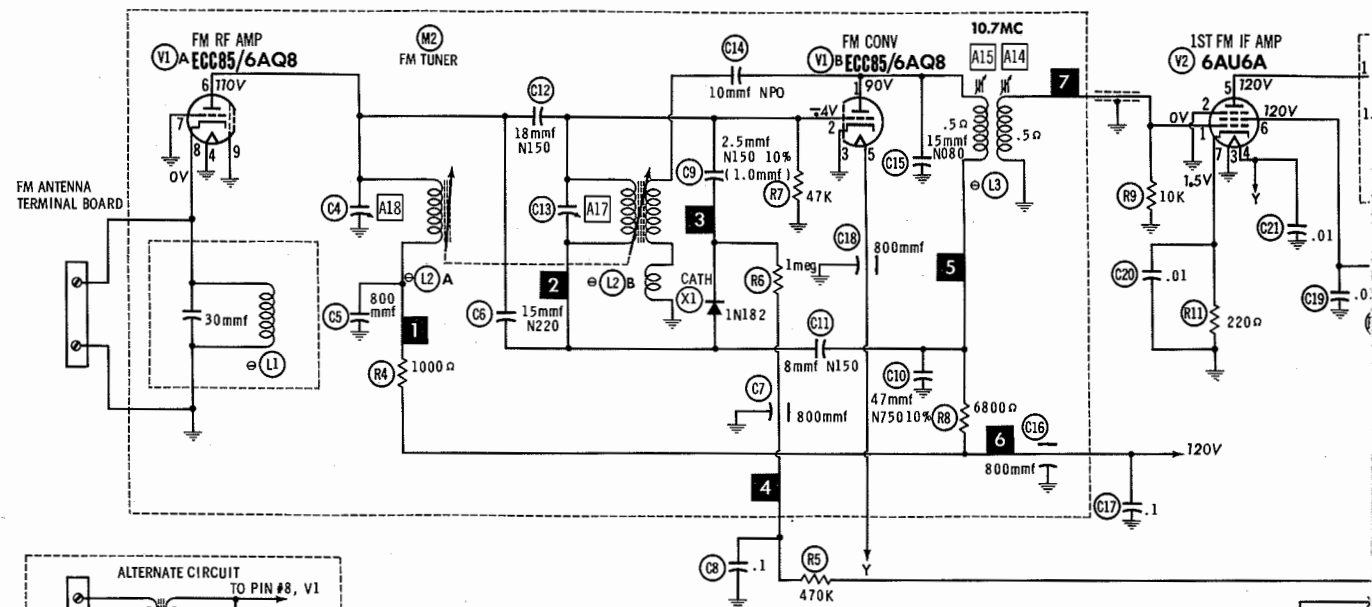
RESISTORS

All wattages 1/2 watt, or less, unless otherwise listed.

ITEM No.	RATING	REMARKS	REPLACEMENT DATA		
			IRC PART No.	Workman PART No.	Remarks
R42	330K				
R43	1.5meg				
R44	1200Ω				
R45	47K				
R46	47K				
R47	220K				
R48	80K				
R49	80K				
R50	330K				
R51	1.5meg				
R52	1200Ω				
R53	47K				
R54	47K				
R55	220K				
R56	220K				
R57	68K				
R58	100Ω 10W				
R59	2200Ω 5W				
R60	2200Ω				
R61	47Ω				
R62	47Ω				
R63	150Ω 10W				

WIRING DATA

General-use Unshielded Hook-up Wire ..... Use BELDEN No. 8530 (Solid) Available in 12 Colors  
 Power Cord ..... Use BELDEN No. 8524 (Stranded) Available in 12 Colors  
 Power Cord (Interlock Type) ..... Use BELDEN No. 17109 (Plastic) or 17128 (Rubber) - 6 Ft.  
 ..... Use BELDEN No. 17109 (Plastic) or 17128 (Rubber) - 9 Ft.  
 ..... Use BELDEN No. 8874 (Rubber) or 8895 (Plastic)



RESISTANCE READINGS

ITEM	TUBE	Pin 1	Pin 2	Pin 3	Pin 4	Pin 5	Pin 6	Pin 7	Pin 8	Pin 9
V1	ECC85 6AQ8	+7000 Ω	47K	0 Ω	FIL	FIL	+1300 Ω	0 Ω	.1 Ω	NC
V2	6AU6A	.5 Ω	0 Ω	FIL	FIL	+1K	+1K	220 Ω		
V3	6AU6A	2 Ω	0 Ω	FIL	FIL	+1K	+1200 Ω	220 Ω		
V4	6AU6A	100K	0 Ω	FIL	FIL	+22K	+22K	0 Ω		
V5	6BE6	22K	1 Ω	FIL	FIL	+330 Ω	+330 Ω	5meg		
V6	6EQ7	0 Ω	2.8meg	0 Ω	FIL	FIL	+470 Ω	+470 Ω	500K	0 Ω

† MEASURED FROM OUTPUT OF X4.  
 NC NO CONNECTION

- SEE PARTS LIST FOR ALTERNATE VALUE OR APPLICATION
- DC voltage measurements taken with vacuum tube voltmeter; AC voltages measured with 1000 ohm per volt voltmeter.
  - Socket connections are shown as bottom views.
  - Measured values are from socket pin to common ground.
  - Line voltage maintained at 117 volts for voltage readings.
  - Nominal tolerance on component values makes possible a variation of ±15% in voltage and resistance readings.
  - Volume control at maximum, no signal applied for voltage measurements.

A PHOTOFACIT STANDARD NOTATION SCHEMATIC with CIRCUITRACE  
 © Howard W. Sams & Co., Inc. 1962

# TUNER SCHEMATIC

TUNER PARTS LIST AND DESCRIPTIONS

TUBES

ITEM No.	AMPEREX	GENERAL ELECTRIC	RCA	RAYTHEON	SILVANIA
V1	FM RF Amp. -FM Conv.	ECC85/6AQ8		FM Limiter	6AU6A
V2	1st FM IF Amp.	6AU6A		AM Converter	6BE6
V3	2nd FM IF Amp.	6AU6A		AM IF Amp. -AM Det.	6EQ7

POWER RECTIFIERS & SIGNAL DIODES

ITEM No.	CURRENT RATING (Measured)	RECTIFIERS		DIODES		NOTES
		ORIGINAL Part or Type No.	RCA PART No.	SARKES TARZIAN PART No.	RAYTHEON PART No.	
X1	1N182					
X2	1N541					
X3	1N541		40H			
X4	162000-052		40H			

ELECTROLYTIC CAPACITORS

ITEM No.	CAP.	VOLTS	REPLACEMENT DATA			
			AEROVOX PART No.	Stromberg-Carlson PART No.	GENERAL ELECTRIC PART No.	SPRAGUE PART No.
C1	50	200	PR5185	BR50-250	Q11-16	TD-60-250
C2	40	200	PR5185	AFH2-29	CO874	TMD-2250
C3	40	150	PR51470	BR30-150	Q11-13	TD-20-150
C4	10	25	PR5185-100	BBR10-25	MT1-5	TD-10-25

\* Not normally in distributor's stock. Available thru distributor on order to manufacturer.

FIXED CAPACITORS

ITEM No.	RATING	REMARKS	REPLACEMENT DATA			
			AEROVOX PART No.	CENTRALAB PART No.	CORNELL-DUBILIER PART No.	MALLORY PART No.
C4	800		BFD-0008	DD-801	L1078	B-382
C5	15 N220		EF-5-1000	FT-1000		107CR-Q15
C6	800		P288N-1		CUB2P1	BH-140
C7	1.200V					CT254A
C8	2.5mmf N150 10%	(U) †	NT50-DI 47	TCN-47	C10Q47U	GEM-201
C9	47 N150 10%		NFO-DI 10	DTZ-10	C10Q10	CNO-410
C10	8 N150		EF-5-1000	FT-1000		CT254A
C11	18 N150		P288N-1		CUB2P1	GEM-201
C12	10 NFO					BH-140
C13	15 N080					2TM-P10
C14	800					
C15	.1 200V					

CONTROLS

All wattages 1/2 watt, or less, unless otherwise listed.

ITEM No.	USE	RESISTANCE	REPLACEMENT DATA		
			Stromberg-Carlson PART No.	CENTRALAB PART No.	CLAROSTAT PART No.
R1A	Volume, A	2meg.	145000-035		
B	Volume, B	650K Tap			
R2A	Treble, A	2meg.	145000-033	B-76, SR-76	AD47-2meg-Z, FS-3
R3A	Treble, B	650K Tap			
B	Base, A	2meg.			
B	Base, B	5meg.			
B	Power Switch	5meg.			

† Use Extra Mounting Nut.

\* "STA-LOC" Equivalent: FB26T75, OSS62A, RU26T75, IS875

TUNER PARTS LIST AND DESCRIPTIONS (Continued)

RESISTORS

All wattages 1/2 watt, or less, unless otherwise listed.

ITEM No.	RATING	REMARKS	REPLACEMENT DATA		
			IRC PART No.	WORKMAN PART No.	REMARKS
R4	1000Ω				
R5	470K				
R6	1meg				
R7	47K				
R8	6800Ω				
R9	10K				
R10	1000Ω				
R11	22Ω				
R12	1000Ω				
R13	220Ω				
R14	220Ω				
R15	100K				
R16	22K				
R17	47K				
R18	1000Ω				
R19	1500Ω				
R20	6800Ω				
R21	6800Ω				
R22	150Ω				

† Alternate Value.

COILS (RF-IF)

ITEM No.	USE	REPLACEMENT DATA			NOTES
		Stromberg-Carlson PART No.	Merit PART No.	Stancor PART No.	
L1	FM Ant.				
L2A	FM RF				
L3	FM Osc.				
L4	1st FM IF				
L5	2nd FM IF				
L6	3rd FM IF				
L7	Ratio Detector				
L8	Loopstick				
L9	AM Osc.				
L10	1st AM IF				
L11	2nd AM IF				
L12	10KC Filter (2H)				
L13	FLI Choke (5.6uh)				

FILTER CHOKE

ITEM No.	CURRENT (Measured)	DC RES.	REPLACEMENT DATA			NOTES
			INDUCTANCE (1000-)	STANCOR PART No.	THORBARSON PART No.	
L13	.058A	110Ω	1.9HY	161000-111		

COMPONENT COMBINATIONS

ITEM No.	USE	DESCRIPTION	REPLACEMENT DATA
K1	AM Detector Filter	.100mmf, 100mmf, 47K	Stromberg-Carlson PART No. 110478-000 Aerovox Centralab Sprague PA-87 FC50 D-1

STROMBERG-CARLSON CHASSIS ASR-110, ASR-120, SR-130

FIXED CAPACITORS (cont)

ITEM No.	RATING	REMARKS	REPLACEMENT DATA			
			AEROVOX PART No.	CENTRALAB PART No.	CORNELL-DUBILIER PART No.	ELEMCO PART No.
C18	800		EF-5-1000	FT-1000	CCF-102	C7254A
C19	.01		BPD-01	DD-103	CCD-103	B-110
C20	.01		BPD-01	DD-103	CCD-103	B-110
C21	.01		BPD-01	DD-103	CCD-103	B-110
C22	.01		BPD-01	DD-103	CCD-103	B-110
C23	.01		BPD-01	DD-103	CCD-103	B-110
C24	.01		BPD-01	DD-103	CCD-103	B-110
C25	47		DI-47	DD-470	CCD-470	GEM-415
C26	.01		BPD-01	DD-103	CCD-103	B-110
C27	330		DI-330	DD-331	CCD-331	G292
C28	330		DI-330	DD-331	CCD-331	G292
C29	330		DI-330	DD-331	CCD-331	G292
C30	.001		BPD-001	DD-102	CCD-102	B-210
C31	.05 200V		P288N-05	DD-503	CCD-503	GEM-201
C32	1.200V		P288N-047	DD-471	CCD-471	B-347
C33	470		NFO-DI 47	DTZ-47	CCTO-470	CNO-447
C34	47 NPO		BPD-01	DD-103	CCD-103	B-110
C35	.01		BPD-01	DD-103	CCD-103	B-110
C36	.01		BPD-01	DD-103	CCD-103	B-110
C37	25-100	#110000-005	P288N-05	DD-503	CCD-503	GEM-415
C38	.05 200V		DI-220	DD-221	CCD-221	GF322
C39	220		BPD-00068	DD-661	CCD-661	B-366
C40	680		DI-680	DD-681	CCD-681	B-366
C41	.001		BPD-001	DD-102	CCD-102	B-210
C42	220		DI-220	DD-221	CCD-221	G292
C43	.002		BPD-002	DD-102	CCD-102	B-210
C44	220		DI-220	DD-221	CCD-221	G292
C45	680		BPD-00068	DD-661	CCD-661	B-366
C46	.001		BPD-001	DD-102	CCD-102	B-210
C47	220		DI-220	DD-221	CCD-221	G292
C48	.002		BPD-002	DD-102	CCD-102	B-210
C49	.001		BPD-001	DD-102	CCD-102	B-210
C50	.001		BPD-001	DD-102	CCD-102	B-210
C51	.01		BPD-01	DD-103	CCD-103	B-110

# Stromberg-Carlson Part Number.

\* Not normally in distributor's stock. Available thru distributor on order to manufacturer.

† Alternate Value.

PHONO CARTRIDGE & NEEDLES

\* NEEDLE LISTINGS SHOWN ARE FOR RESPECTIVE REPLACEMENT CARTRIDGES ONLY.

ITEM No.	REMARKS	REPLACEMENT DATA			NOTES	
		Stromberg-Carlson PART No.	ELECTRO-VOICE PART No.	SONOTONE PART No.		
M1	148000-100	148000-102	IT-D	2604D*	9TS-D	N-9TS-D*
				2605*		

MISCELLANEOUS

ITEM No.	PART NAME	Stromberg-Carlson PART No.	NOTES
M2	FM Tuner Assy.	164000-022	
M3	Tuning Cap.	110000-027	
M4	Switch	158000-182	

CABINETS & CABINET PARTS

(When Ordering Cabinets & Cabinet Parts, Specify Model, Chassis & Color)

ITEM No.	NAME	PART No.	DESCRIPTION
	Dial Pointer	144000-015	Tuner
	Dial Glass	122000-010	Tuner
	Knob	134000-152	Tuner, Models RP-761, RP-763, RP-766
	Knob	134000-155	Tuner, Models RP-721, RP-723, RP-726
	Escutcheon	125000-032	Models RP-761, RP-766, RP-763
	Escutcheon	125000-130	Choid, Models SP-741, SP-746, SP-743
	Escutcheon	125000-133	Chrome, SP-711, SP-716, SP-713
	Knob	125000-144	Models RP-721, RP-726, RP-723
	Knob	134000-145	Volume (inner) Models SP-711, SP-716, SP-713, RP-761, RP-766, RP-763
	Knob	134000-146	Volume (outer) Models SP-711, SP-716, SP-713, RP-761, RP-766, RP-763
	Knob	134000-147	Volume (outer) Models SP-711, SP-716, SP-713, RP-761, RP-766, RP-763
	Knob	134000-151	Base, Tri-shield, Models SP-711, SP-716, SP-713, RP-761, RP-766, RP-763
	Knob	134000-154	Base, Tri-shield, Models SP-711, SP-716, SP-713, RP-761, RP-766, RP-763

WIRING DATA

General-use Unshielded Hook-up Wire ..... Use BELDEN No. 8530 (Solid) Available in 12 Colors  
 8524 (Stranded) Available in 12 Colors  
 Power Cord ..... Use BELDEN No. 17106 (Plastic) or 17126 (Rubber) - 6 Ft.  
 17109 (Plastic) or 17129 (Rubber) - 9 Ft.  
 Power Cord (Interlock Type) ..... Use BELDEN No. 8874 (Rubber) or 8895 (Plastic)  
 Low-Loss Shielded Lead (Interconnecting) ..... Use BELDEN No. 8401 or 8421  
 Photo Pick-up Arm Cable ..... Use BELDEN No. 8430 (Two Conductor-Unshielded)  
 8429 (Two Conductor-Shielded)  
 8419 (Three Conductor-Shielded)

