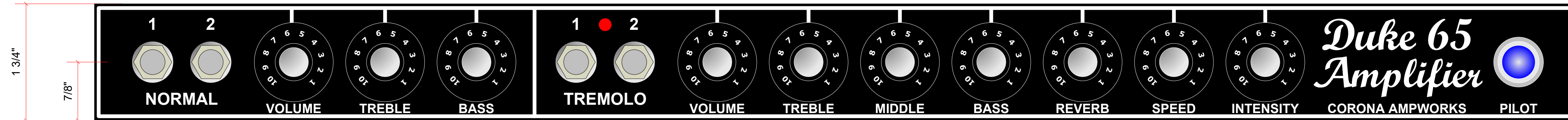
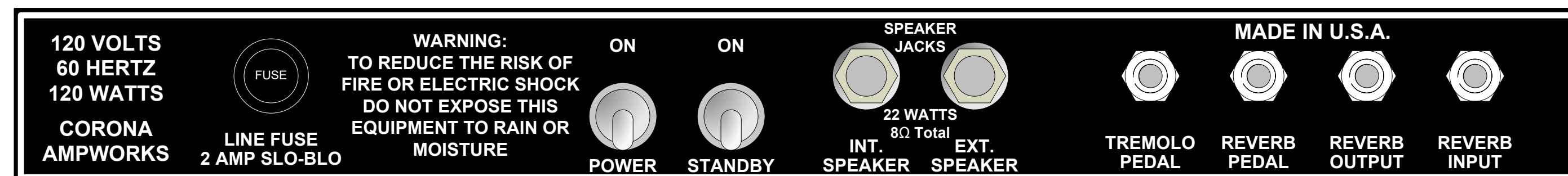
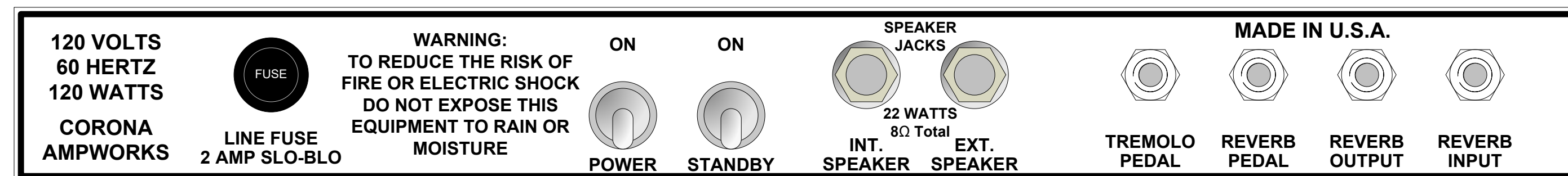
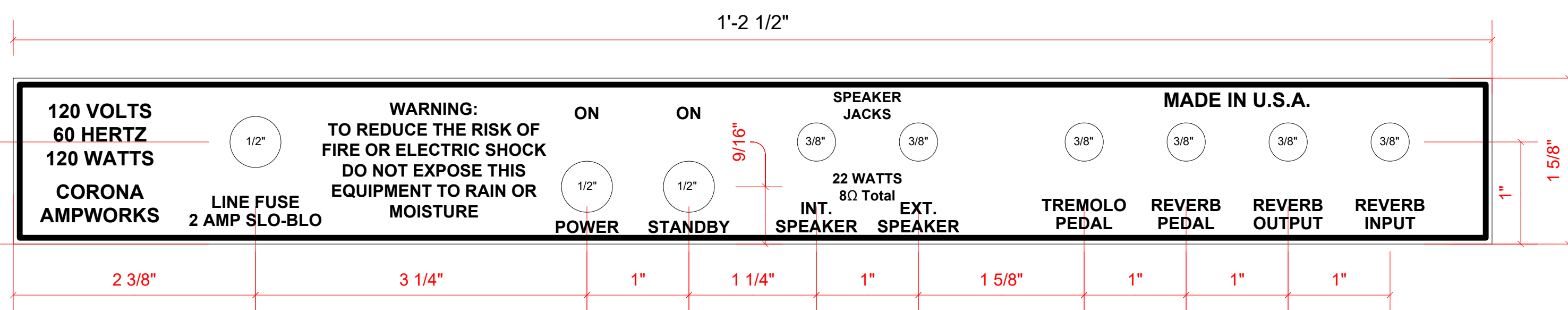
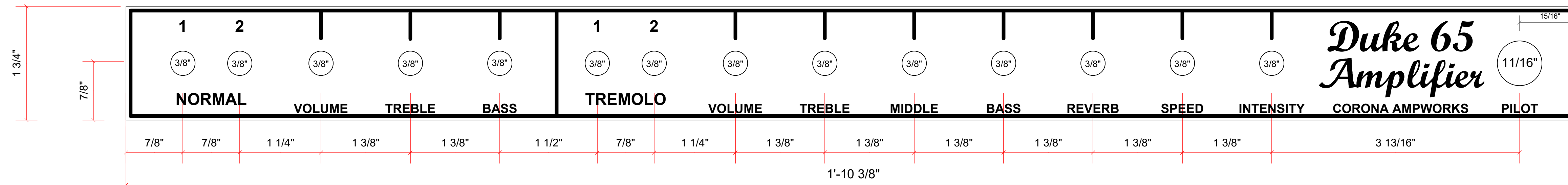
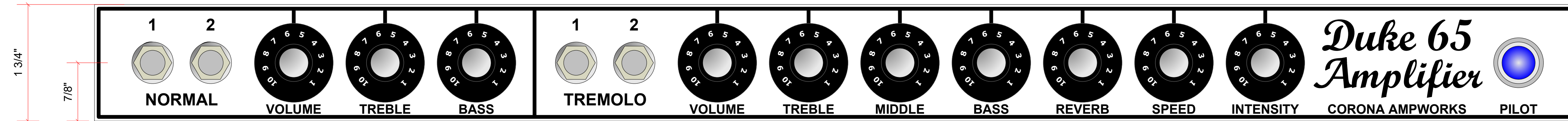




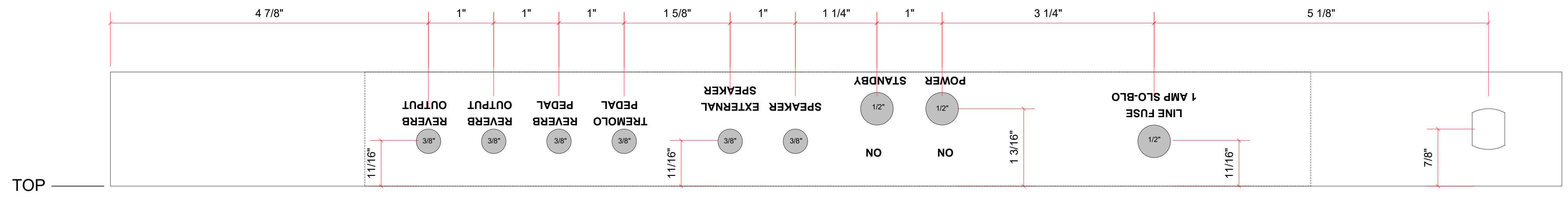
Faceplate



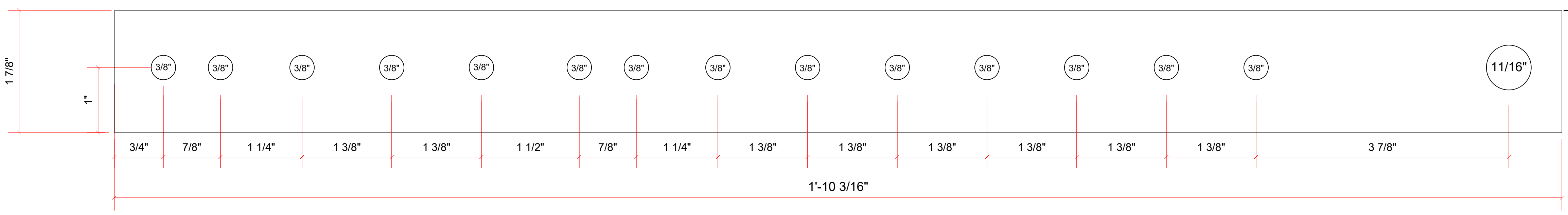
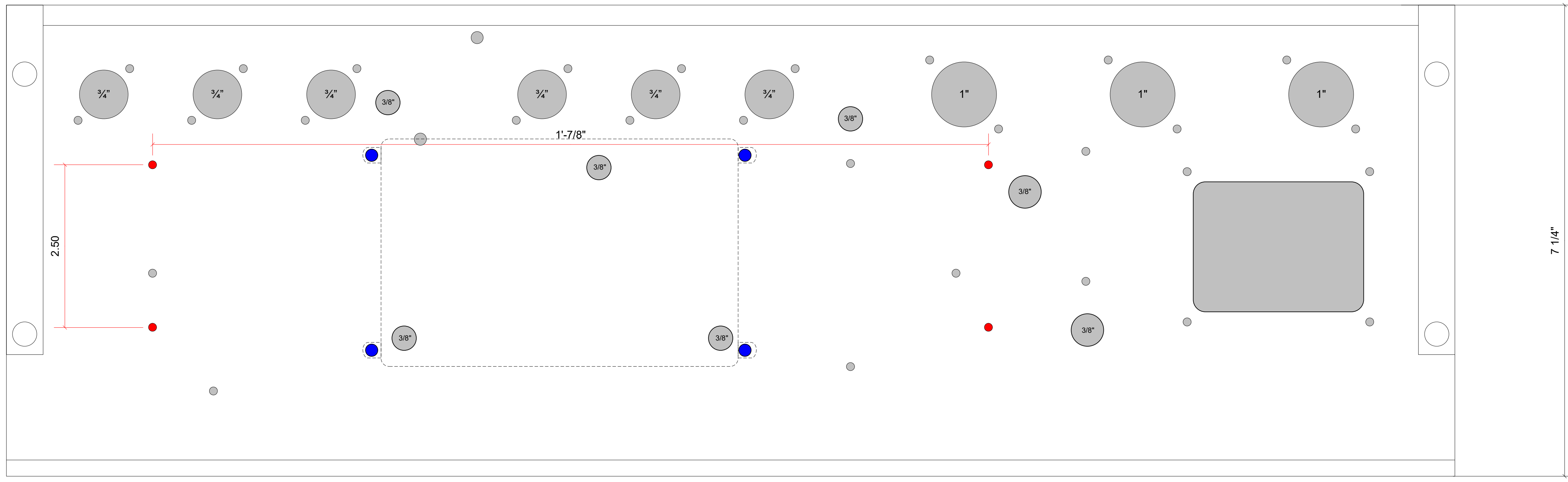
Faceplate



<h1>L2</h1>	HOFFMAN AB763/6G16 DELUXE REVERB			
	<h2>CORONA AMPWORKS</h2>			
DRAWN BY: BNW	SIZE	FSCM NO	DWG NO	REV
SCALE: 1:1	SCALE	1:1	SHEET	2 OF 3



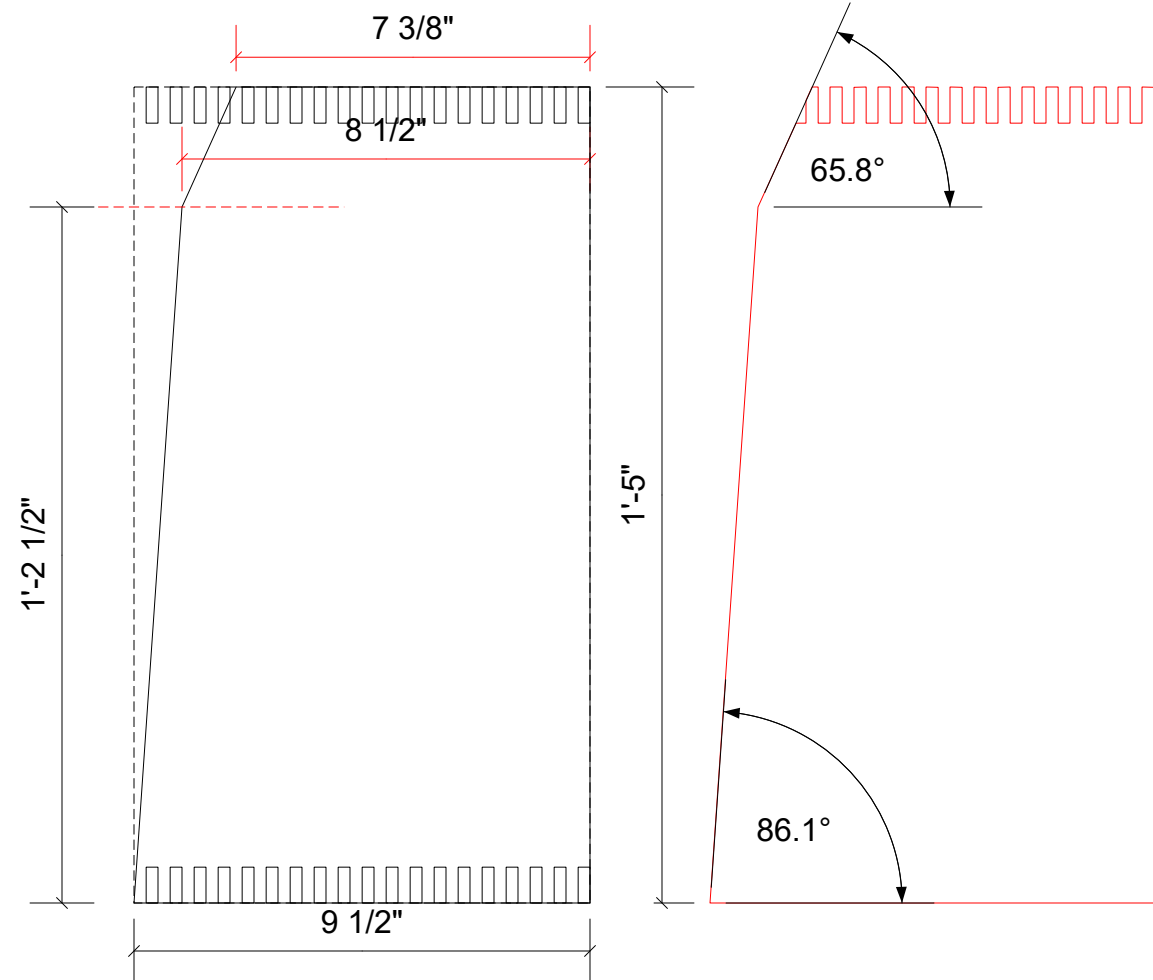
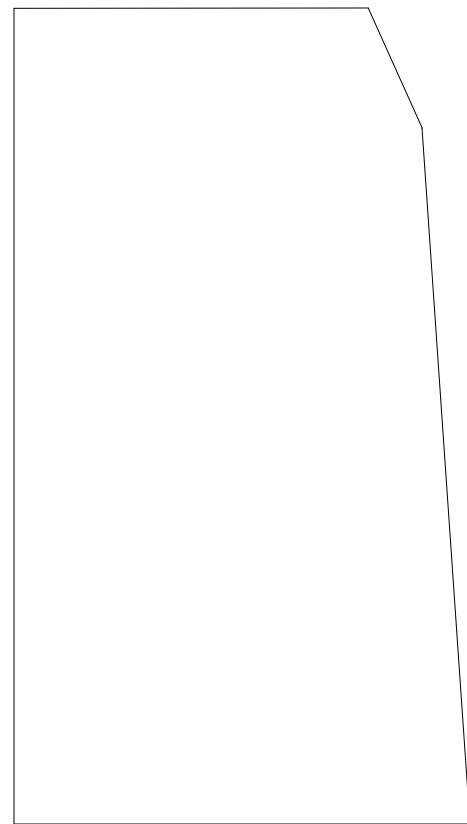
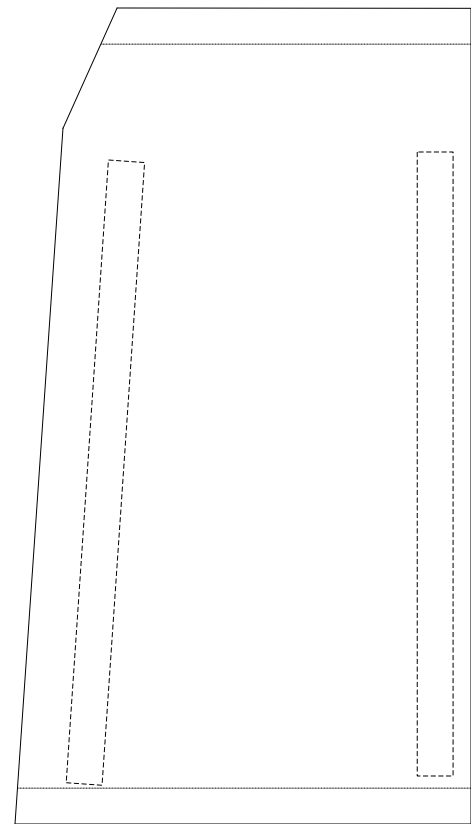
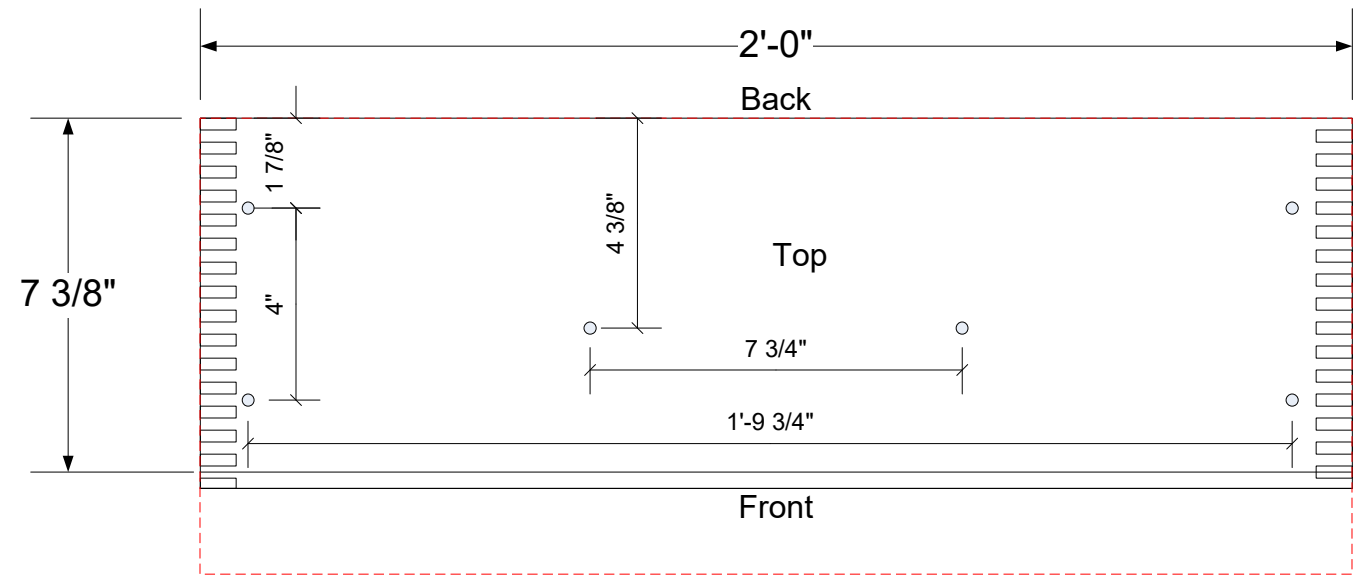
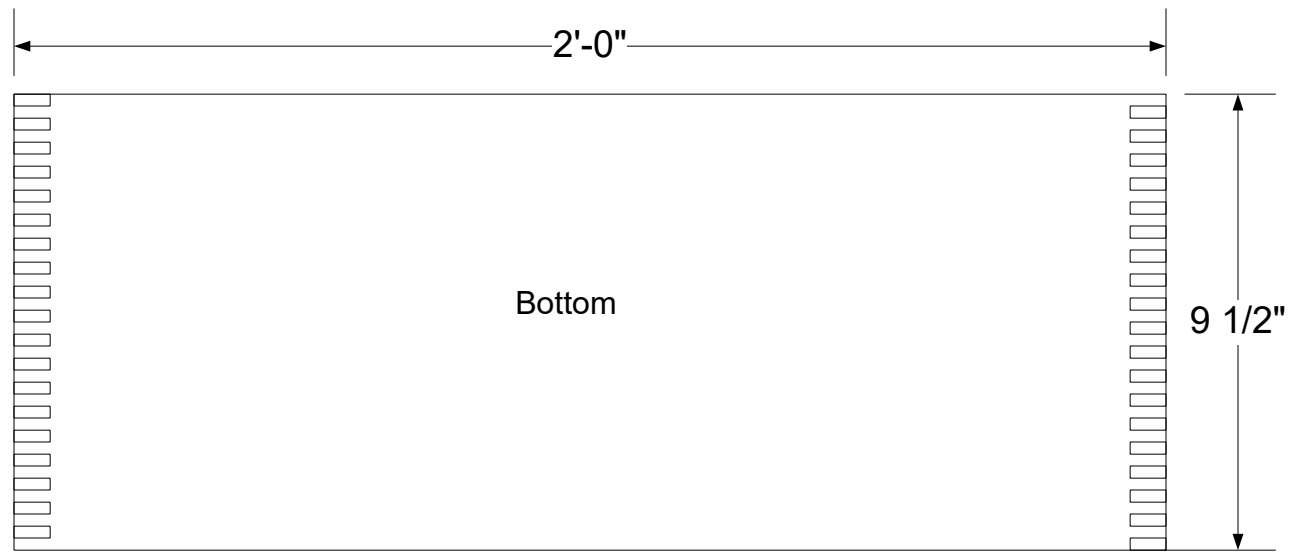
TOP

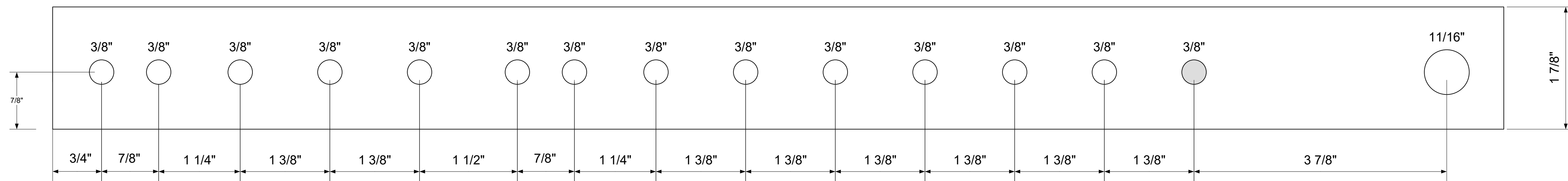
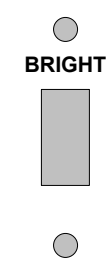
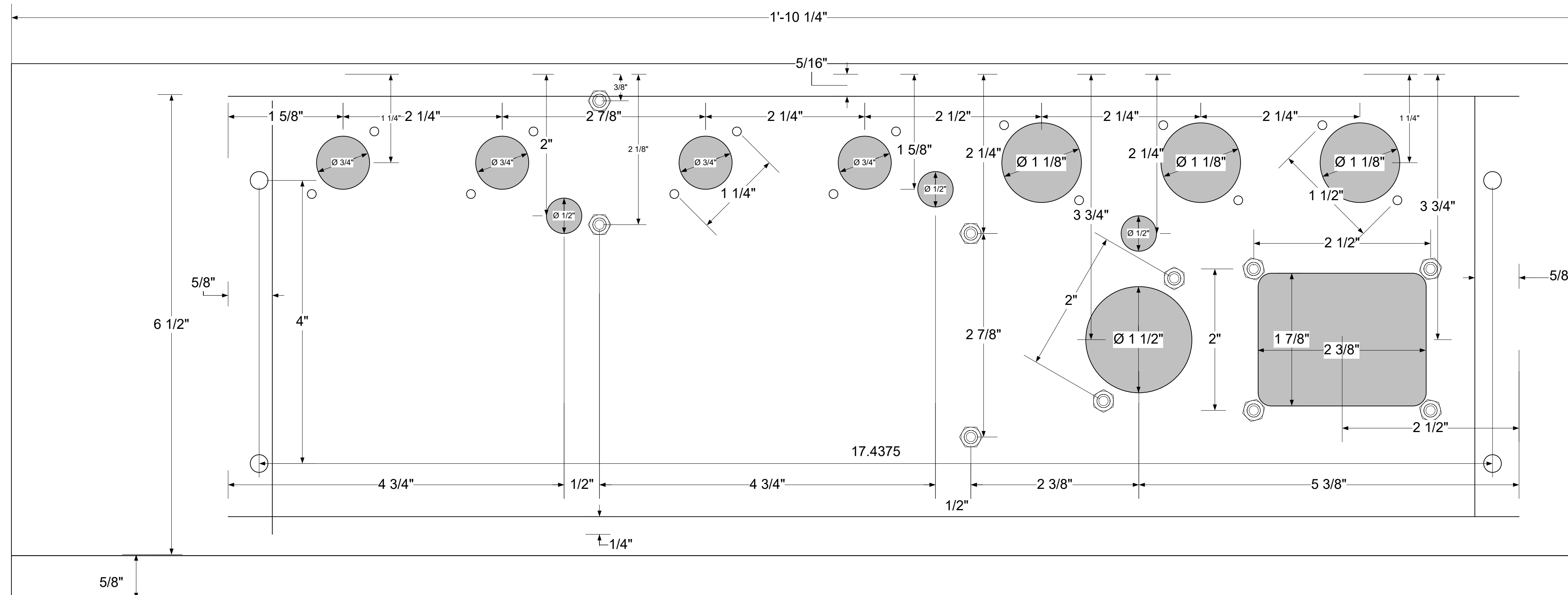
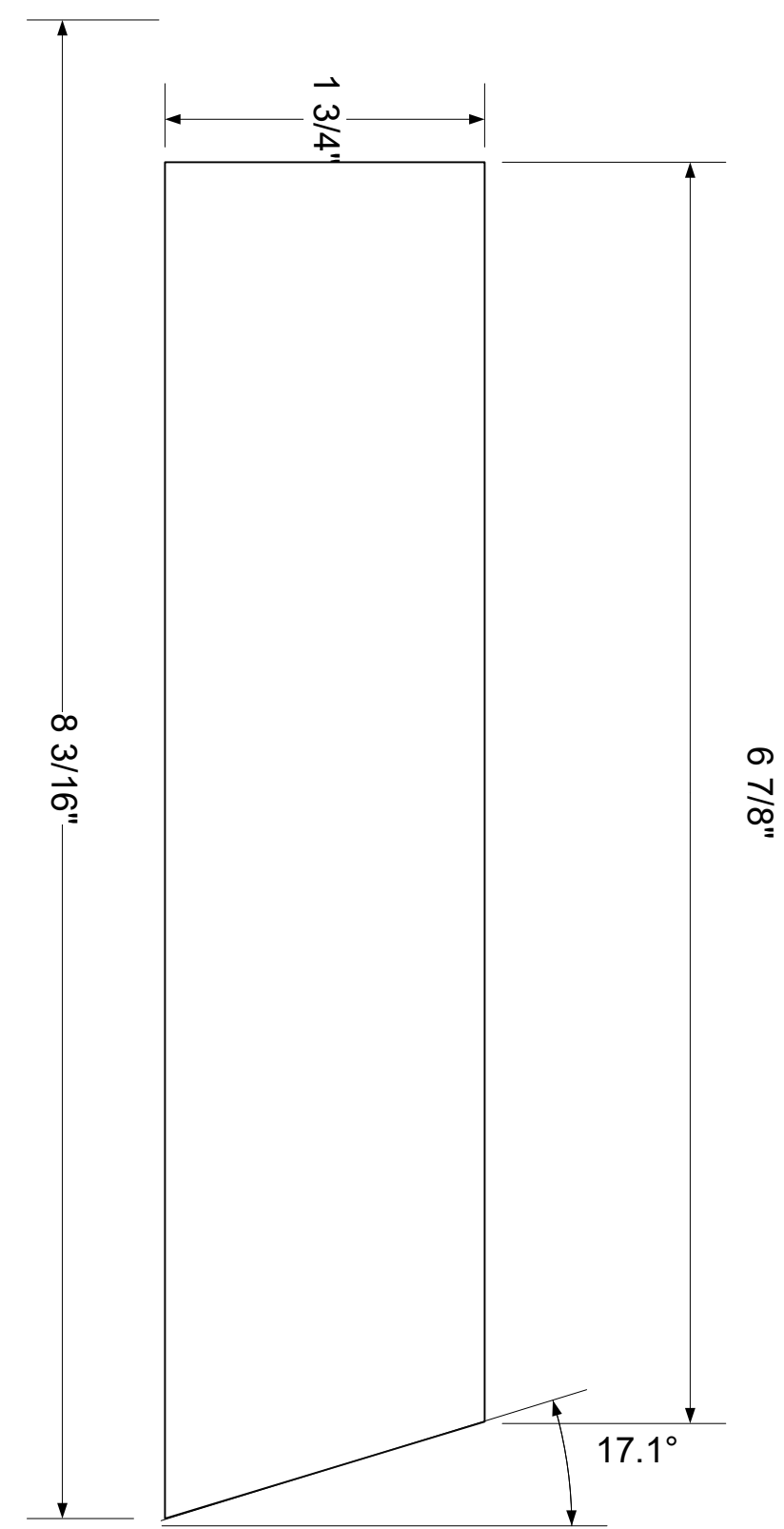
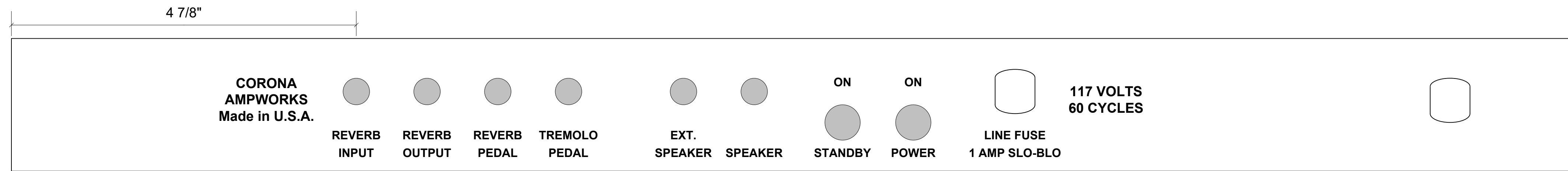


TOP

<h1>L3</h1>	HOFFMAN AB763/6G16 DELUXE REVERB			
	<h2>CORONA AMPWORKS</h2>			
DRAWN BY: BNW	SIZE	FSCM NO	DWG NO	REV
SCALE: 1:1	SCALE	1:1	SHEET	3 OF 3







C1	PRINCETON REVERB CHASSIS			
	MOJO MUSICAL SUPPLY			
DATE	PCLT NO	DWG NO	REV	
SCALE	1 : 1	SHEET	6 OF 11	