

Clickable Links

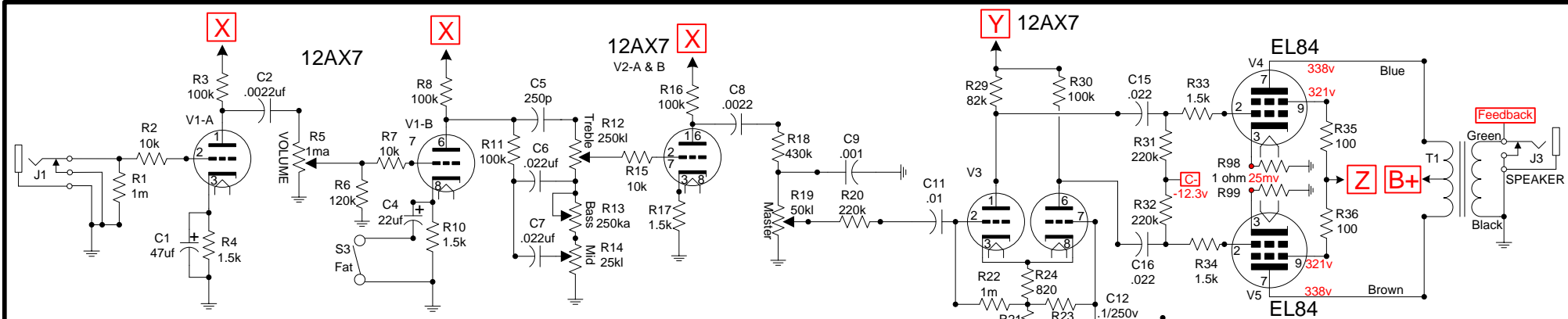
[Hoffman Amplifiers parts catalog](#)

[EL34 World Tube amp Library page](#)

[Hoffman Layout diagram hookup information](#)

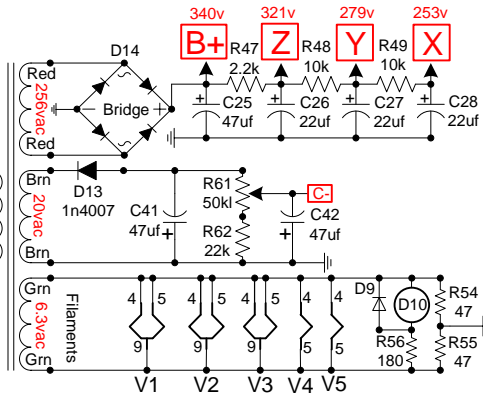
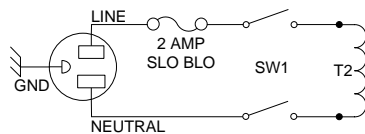
Hoffman Blues Junior

[www.hoffmanamps.com](http://www.hoffmanamps.com)



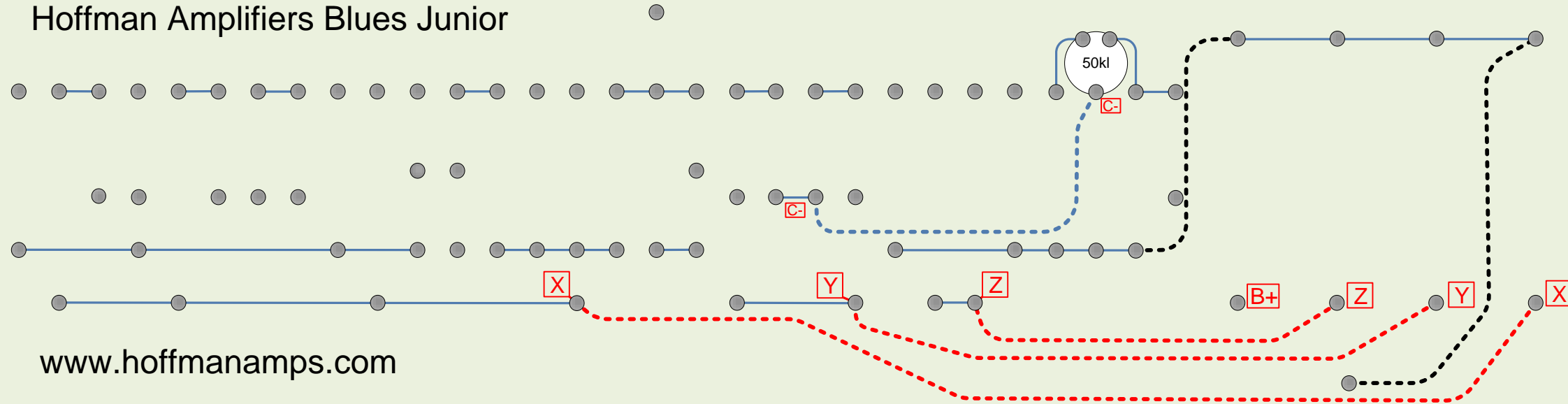
# Hoffman Blues Junior

[www.hoffmanamps.com](http://www.hoffmanamps.com)



47 ohms are on the BJ Tube Board

# Hoffman Amplifiers Blues Junior



[www.hoffmanamps.com](http://www.hoffmanamps.com)