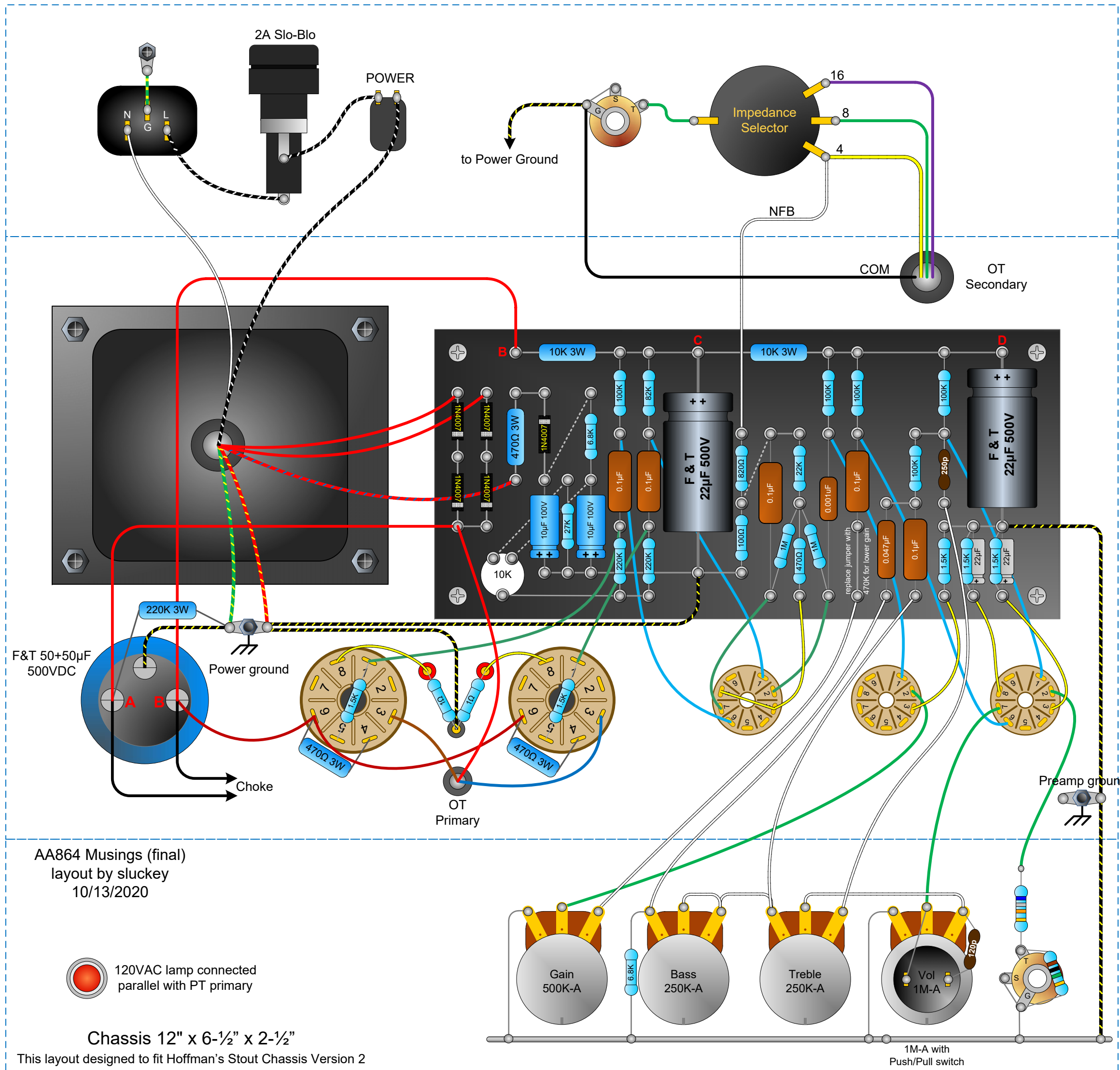


# AA864 Single Channel for Guitar

Redrawn dwinstonwood  
10/07/2020



# DRILL/JUMPER GUIDE

## INSTRUCTIONS FOR USING THIS DRILL GUIDE

⊕ Turret --- drill size is 3/32"

⊕ Standoff – drill size to fit

⊕ Hole for wire pass thru – drill size to fit

--- Dashed lines are underboard jumpers

Board size is 3-1/8" X 7-1/8". Print this page FULL SIZE on letter sized paper. Use one template as a drill guide. The other template will be used for installing jumpers. Measure the board length of the printout to verify it is 7-1/8". Attach to blank board using double sided carpet tape. Use a center punch to put a mark at the cross hairs of each turret and standoff. Use a 3/32" drill bit to drill all holes. Then enlarge standoff holes as needed for screws.

