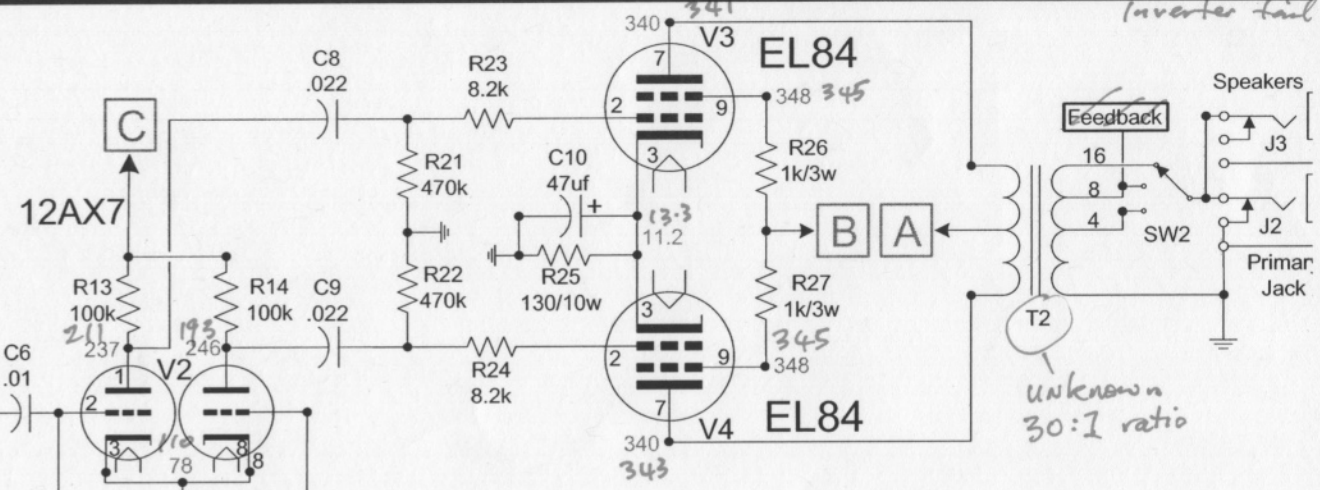
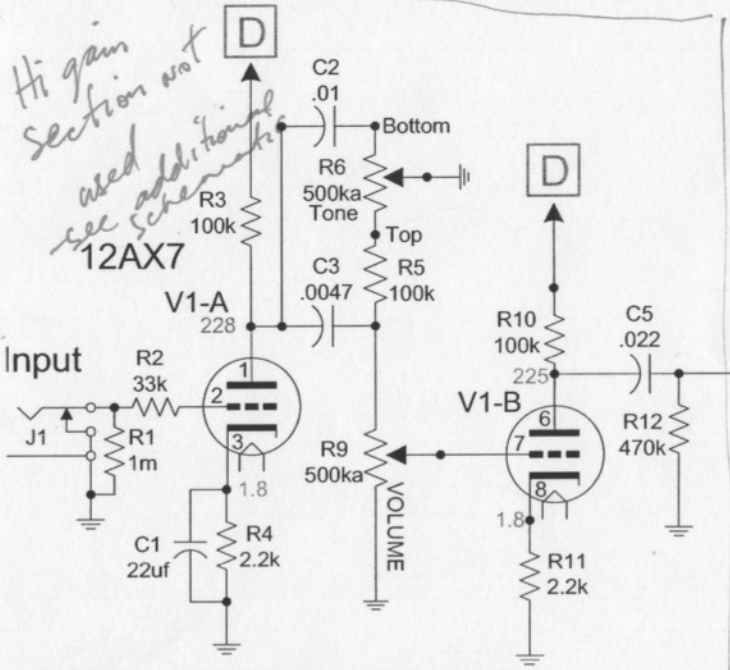
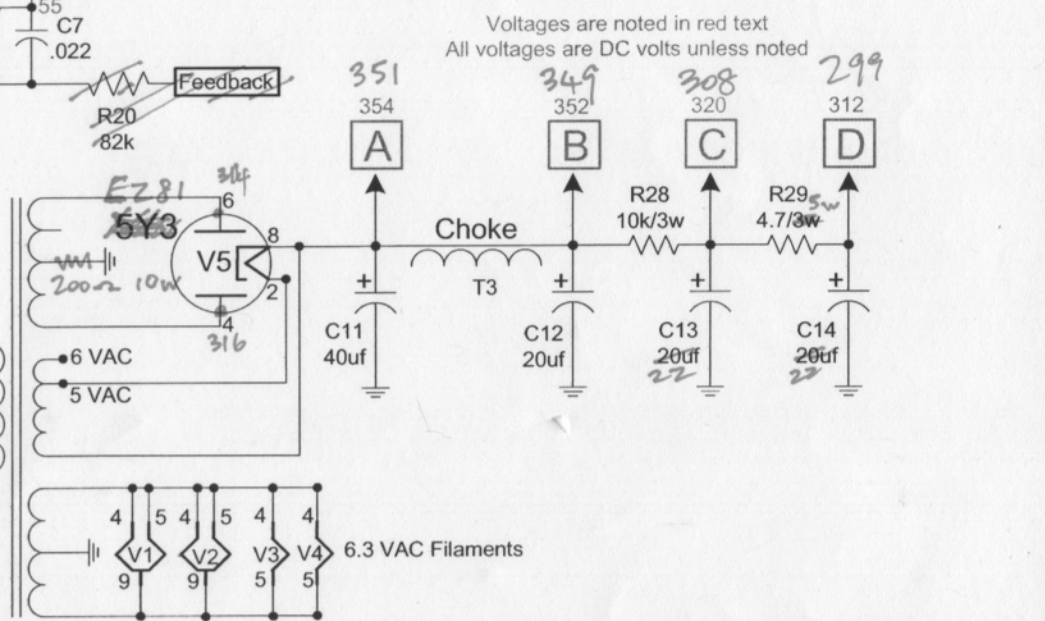
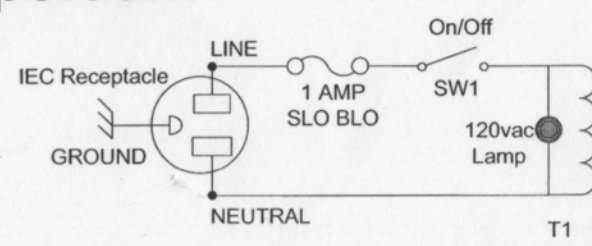


NO NFB USED. - may account for different Vdc at Inverter tail



Hoffman Stout
hoffmanamps.com



THE GULLY