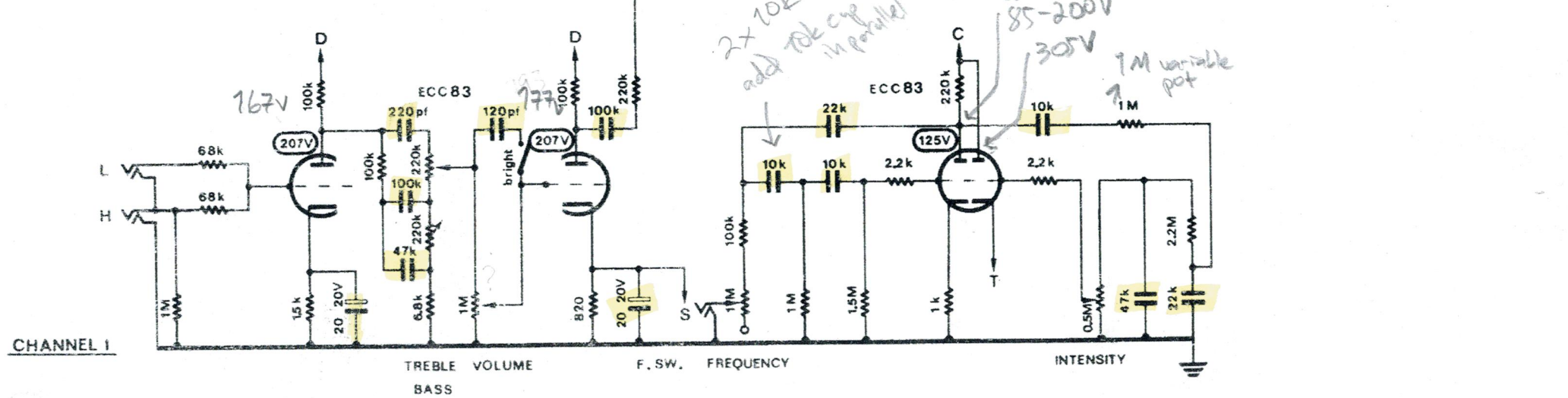
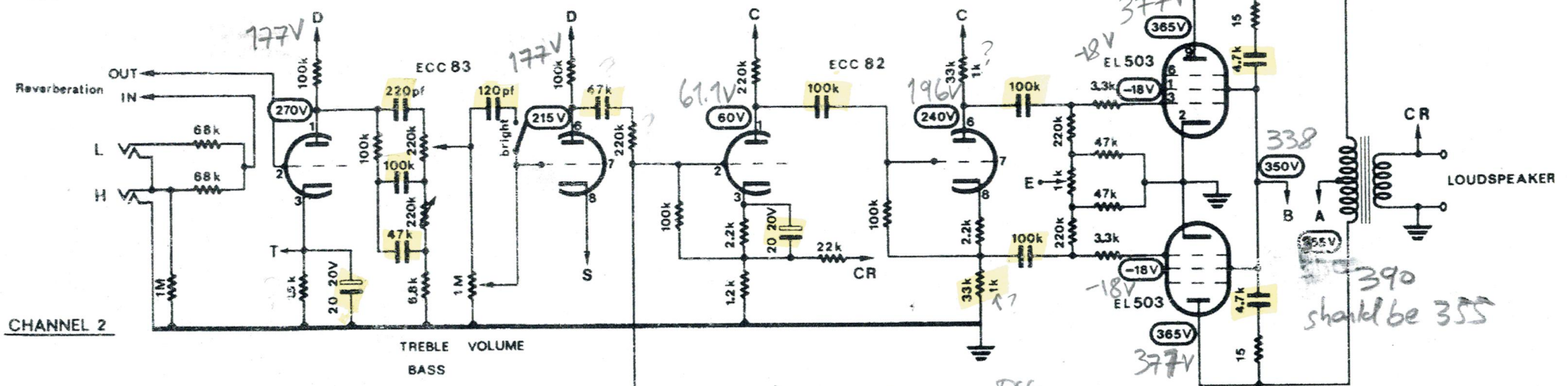
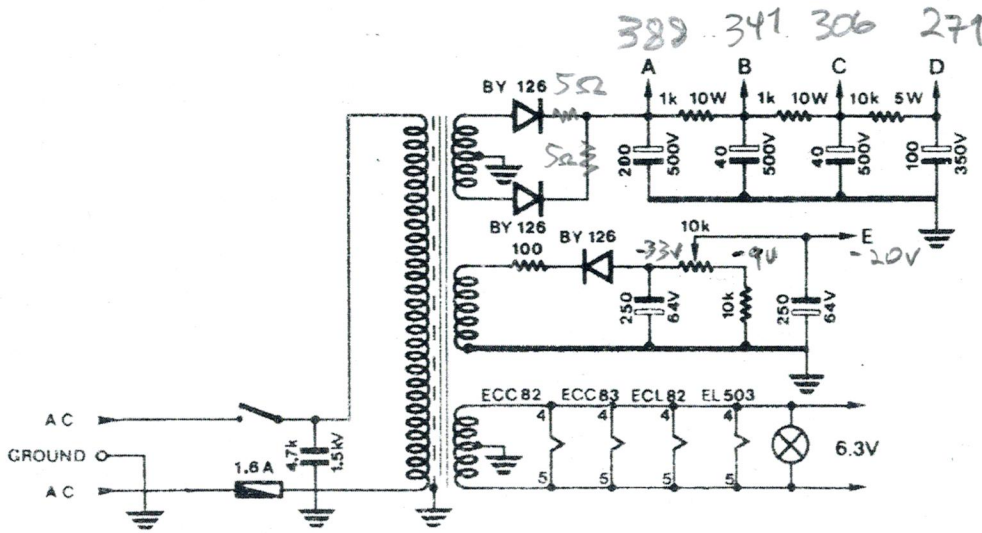
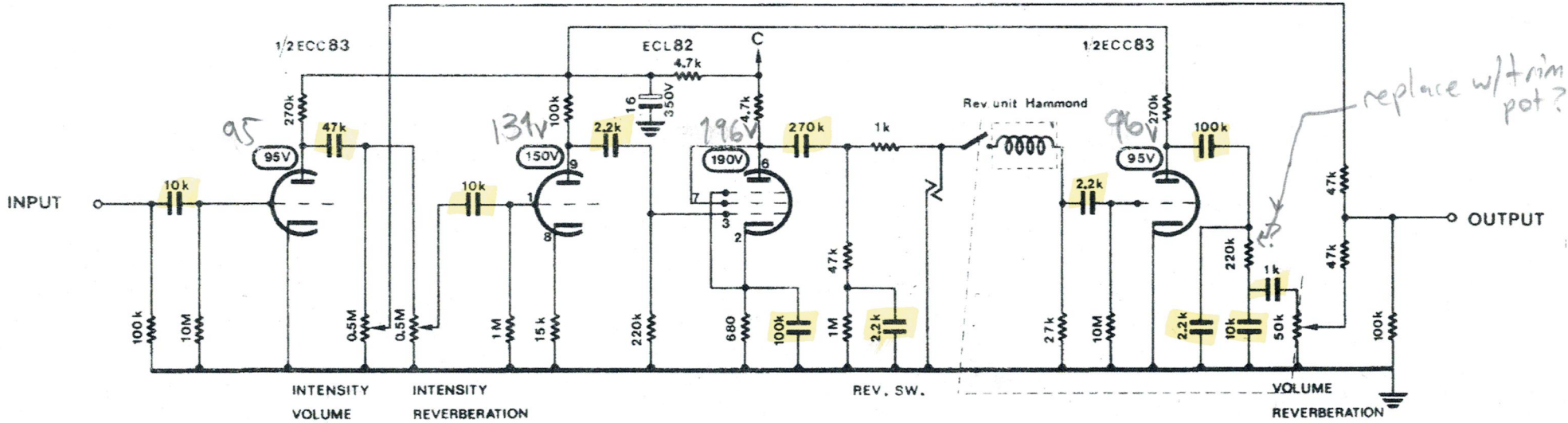


500 Hz





500 R2

FBT des. *Fluoreschalt* 21-10-72

ALL RESISTORS ARE 1/2 W, OTHER ARE NOT SPECIFIED

*Before has 290V
After has 328V*