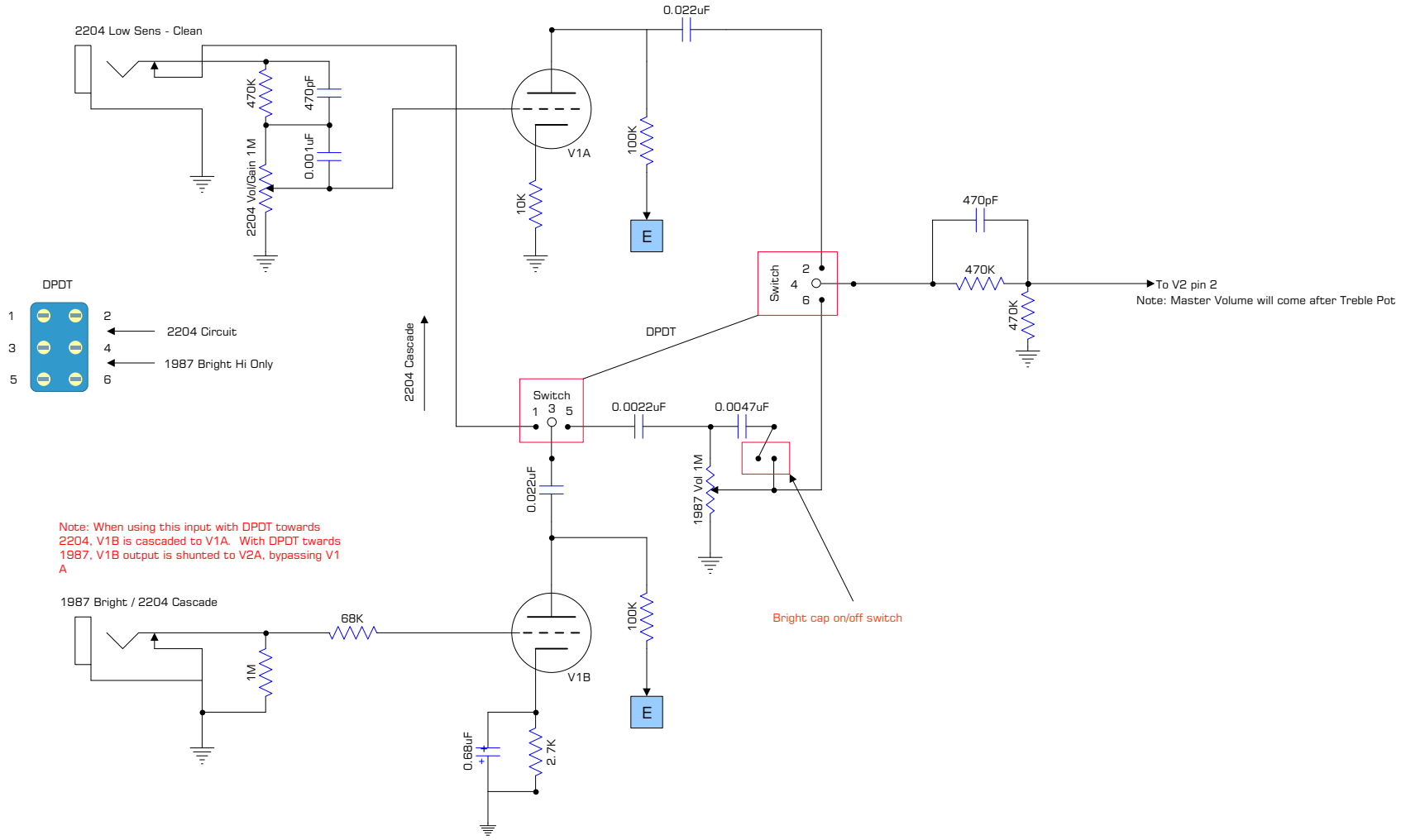


Note: When using 2204 Low Input with DPDT towards 2204 feed from V1B is disconnected.



Note: When using this input with DPDT towards 2204, V1B is cascaded to V1A. With DPDT towards 1987, V1B output is shunted to V2A, bypassing V1A

Bright cap on/off switch