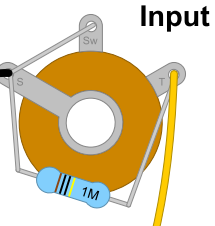
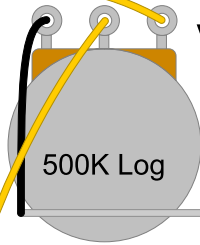
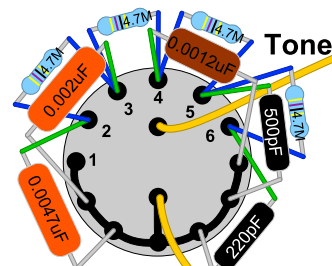
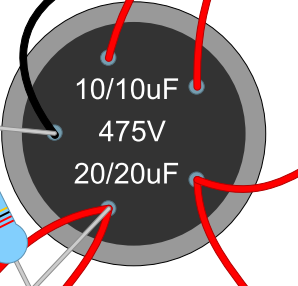
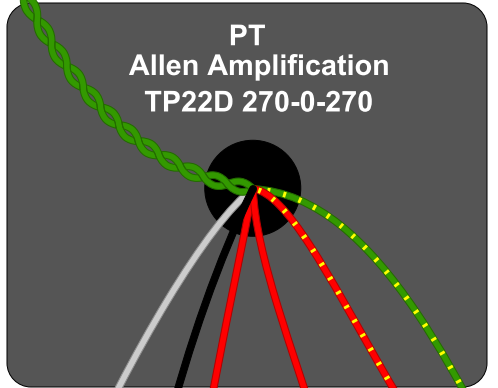


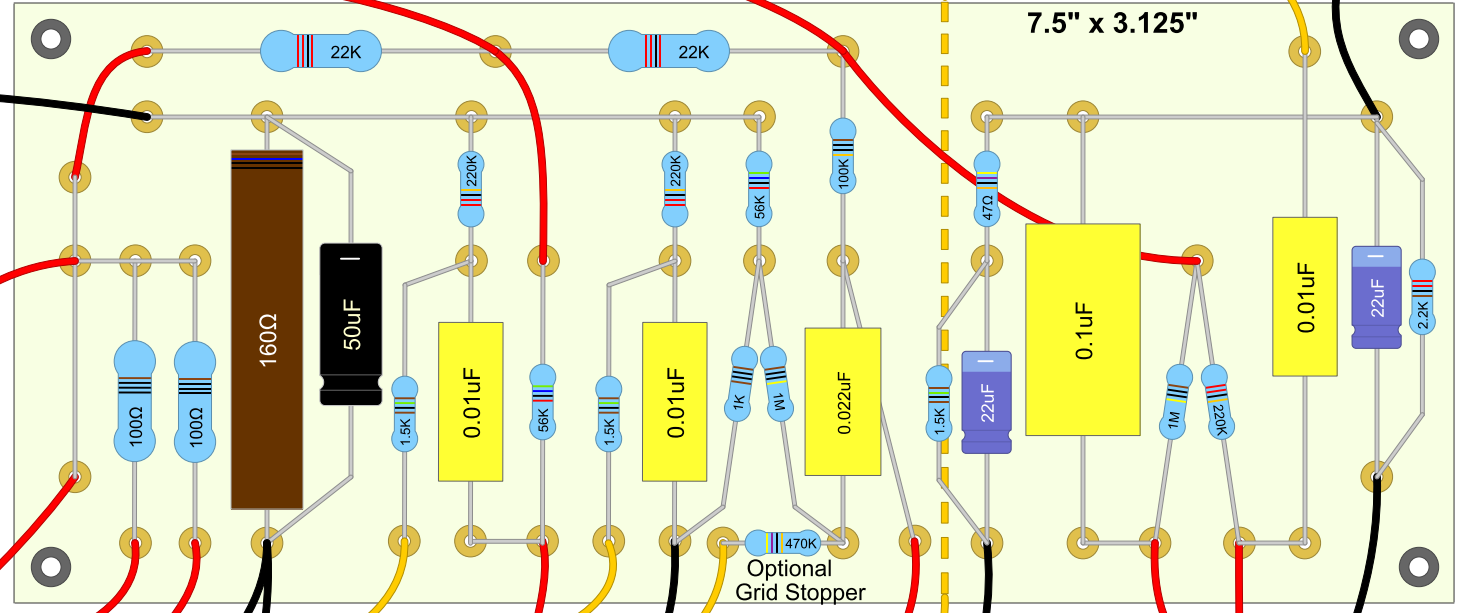
**Actual Capacitances:**  
 1 = 0.01uF  
 2 = .0032uF  
 3 = .00167uF  
 4 = .001uF  
 5 = 476pF  
 6 = 215pF



To Tube Filaments



To Choke  
 Hammond 159M  
 15H 100ma 256Ω



EZ81

EL84

OPT  
 Allen Amplification  
 TO20 20W 6,600Ω

EL84

12AX7

EF86

Fender Princeton 6G2 Chassis  
 17.25\"/>

Power

Fuse

Speaker

**DynaVox 15**  
 Revision #7  
 2/11/2021  
 dwinstonwood  
 based on the sluckey AC15  
 and the AA964 Princeton