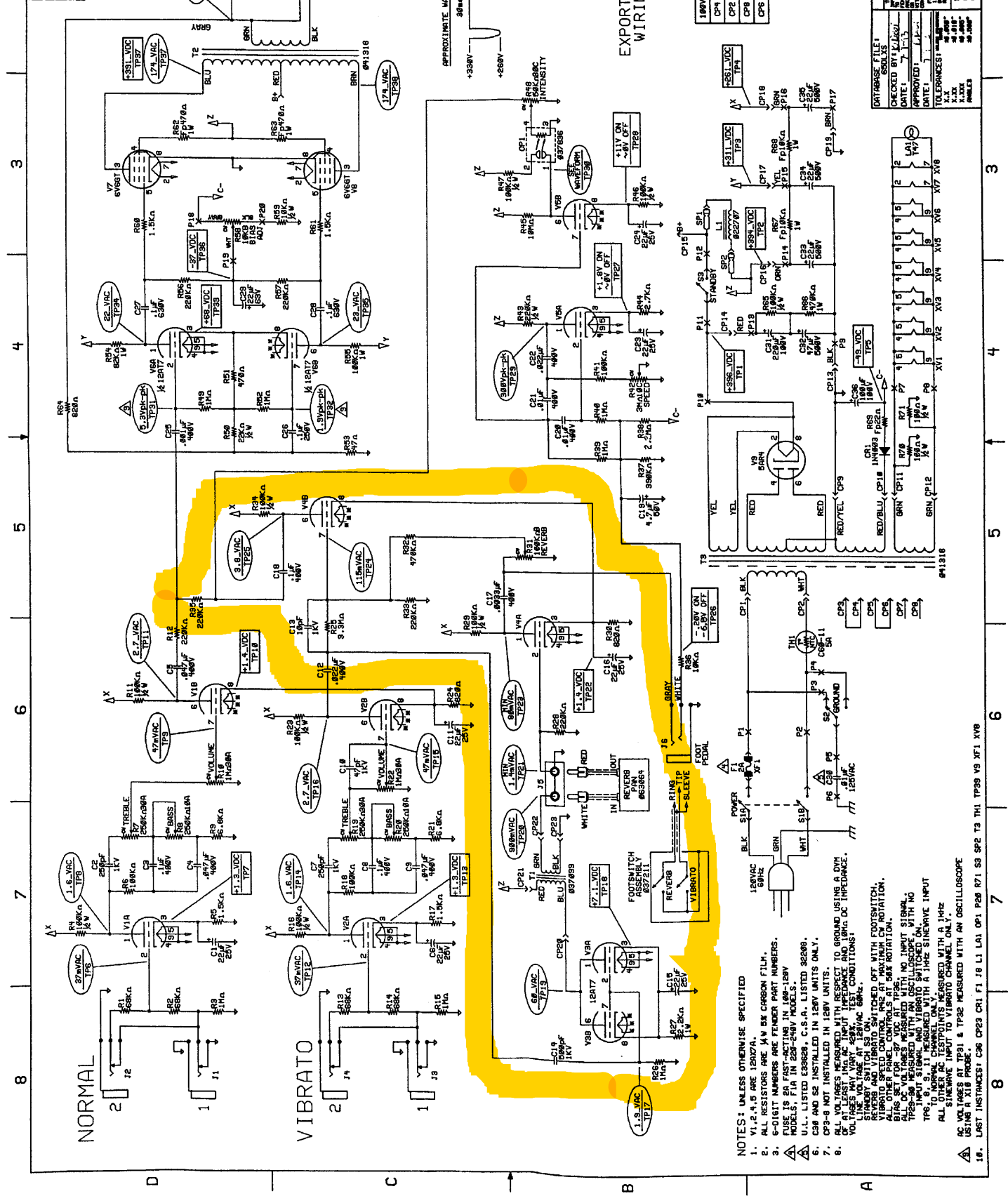
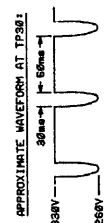


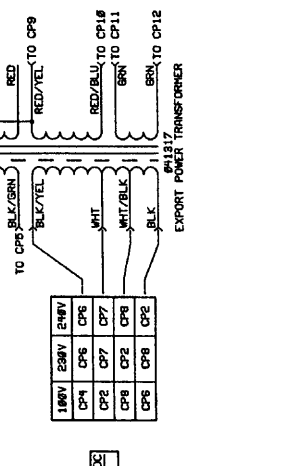
ZONE	REV.	DESCRIPTION	DATE	APPROVED
	A	PR-#239	7-2-93	BD
	B	LO2732	11-4-93	BD



OUTPUT TEST 1
 AS MENTIONED IN THE INSTRUCTIONS
 AN 8Ω RESISTIVE LOAD ON THE
 WITH 142Z INPUT INTO THE CHANNEL
 CONTROLS FULL ON, ALL VIBRATO
 CHANNELS AND VIBRATO OFF.



EXPORT TRANSFORMER
 WIRING DIAGRAM



PROPRIETARY
 CHECKED BY: JAKO
 DATE: 7-1-93
 APPROVED: [Signature]
 DATE: 7-1-93
 TOLERANCES: UNLESS OTHERWISE SPECIFIED
 ALL DIMENSIONS IN INCHES
 UNLESS OTHERWISE SPECIFIED

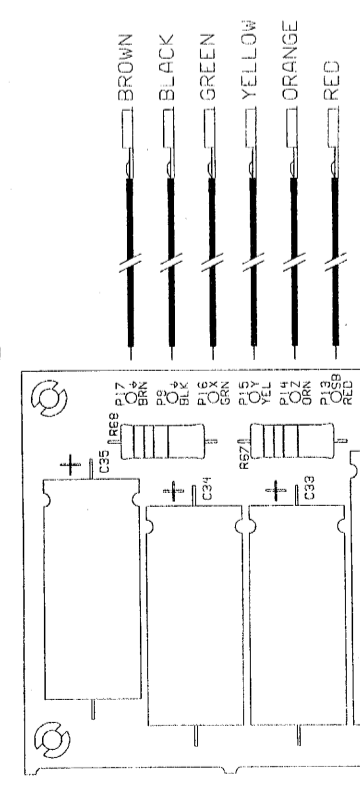
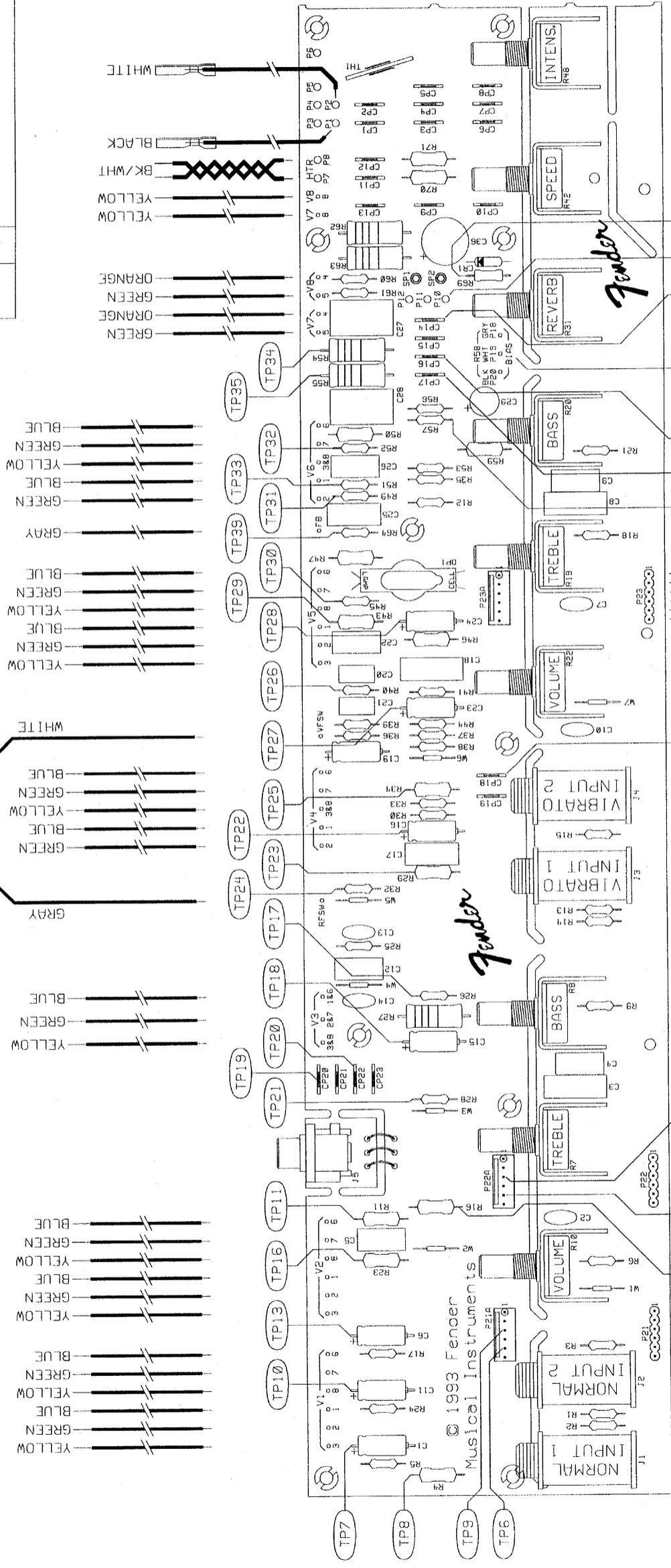
MUSICAL INSTRUMENTS
 1190 S. G ST. CHICAGO, IL 60607
 65 DELUXE REVERB AMPLIFIER
 SIZE: 11.5" x 11.5" x 11.5"
 PART NO.: 041285 B
 SCALE: 1:1
 SHEET 1 OF 1

- NOTES: UNLESS OTHERWISE SPECIFIED
1. V1, C1, C2 ARE 100% 1N4001 SILICON CARBON FILM.
 2. ALL RESISTORS ARE 1% TOLERANCE UNLESS OTHERWISE SPECIFIED.
 3. FUSES ARE FIA FAST-ACTING IN 148-120V MODELS, FIA IN 250-240V MODELS.
 4. U.L. LISTED C82828, C.S.A. LISTED 32288.
 5. C828 AND S2 INSTALLED IN 120V UNITS ONLY.
 6. CP-8 AND S2 INSTALLED IN 120V UNITS.
 7. ALL VOLTAGES MEASURED WITH RESPECT TO GROUND USING A DVM.
 8. ALL VOLTAGES MEASURED WITH RESPECT TO GROUND USING A DVM.
 9. ALL VOLTAGES MEASURED WITH RESPECT TO GROUND USING A DVM.
 10. ALL VOLTAGES MEASURED WITH RESPECT TO GROUND USING A DVM.
 11. ALL VOLTAGES MEASURED WITH RESPECT TO GROUND USING A DVM.
 12. ALL VOLTAGES MEASURED WITH RESPECT TO GROUND USING A DVM.
 13. ALL VOLTAGES MEASURED WITH RESPECT TO GROUND USING A DVM.
 14. ALL VOLTAGES MEASURED WITH RESPECT TO GROUND USING A DVM.
 15. ALL VOLTAGES MEASURED WITH RESPECT TO GROUND USING A DVM.
 16. ALL VOLTAGES MEASURED WITH RESPECT TO GROUND USING A DVM.
 17. ALL VOLTAGES MEASURED WITH RESPECT TO GROUND USING A DVM.
 18. ALL VOLTAGES MEASURED WITH RESPECT TO GROUND USING A DVM.
 19. ALL VOLTAGES MEASURED WITH RESPECT TO GROUND USING A DVM.
 20. ALL VOLTAGES MEASURED WITH RESPECT TO GROUND USING A DVM.

1 2 3 4 5 6 7 8

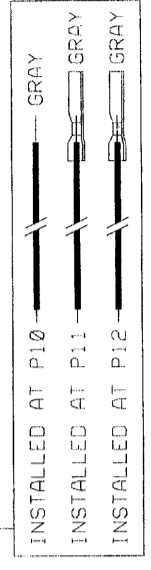
REVISIONS

ZONE	REV.	DESCRIPTION	DATE	APPROVED
	A	RELEASED PR#239	7-2-93	
	B	EC#1694	5-13-96	



PCB SHOWN AS FABRICATED,
EXCEPT WITH CAPACITOR BREAK-
AWAY BOARD SEPARATED

FLEX CABLE INSTALLED
AT P21, P22 AND P23
(3 PLACES)



Fender MUSICAL INSTRUMENTS
2621 Research Drive
Corona, CA 91720 USA

PROPRIETARY
THIS DRAWING DOCUMENT CONTAINS INFORMATION WHICH IS PROPRIETARY TO AND IS THE PROPERTY OF THE FENDER MUSICAL INSTRUMENTS CO. AND MAY NOT BE USED, REPRODUCED OR TRANSMITTED IN ANY FORM OR BY ANY MEANS WITHOUT THE EXPRESSED WRITTEN CONSENT FROM:
FENDER MUSICAL INSTRUMENTS CO.
REGIONAL HEADQUARTERS
2621 RESEARCH DRIVE
CORONA, CA 91720 USA

TITLE: SERVICE DIAGRAM
65 DELUXE REVERB AMPLIFIER

SIZE: DRAWN: B, DESI: DRAWING NUMBER: REV. B
ENGR: B, DESI: 041287

SCALE: CREATED: 02-JUN-93 PLOTTED: 07-JUN-96 SHEET 1 OF 1

DATABASE FILE: 65DLXSR
CHECKED BY:
DATE:
APPROVED:
DATE:
TOLERANCES: UNLESS OTHERWISE NOTED
X.XX ±0.050"
X.XXX ±0.010"
X.XXX ±0.005"
ANGLES

FILM/DWG: SERVICE DIAGRAM
DATABASE: 65DLXSR DATE: 07-JUN-96
LAYERS PLOTTED: 1 2 3 4 10 15

1 2 3 4 5 6 7 8