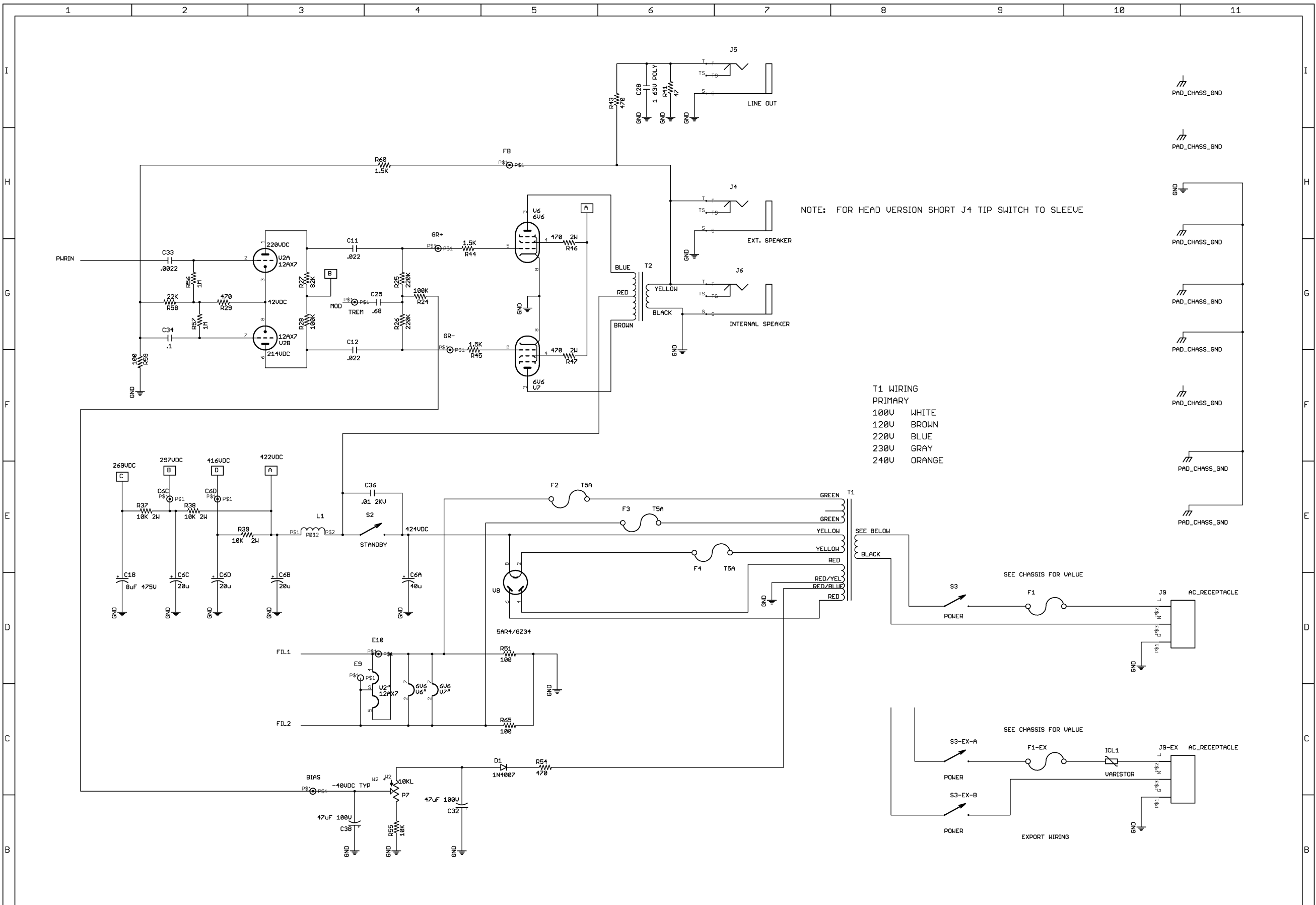


- rev 6 ADDED TEST POINTS SEPT. 30, 2020
- rev 5 ADDED FIL. EYELETS JAN. 9, 2019
- rev 4 CHG'D J7, J8; PLACED R66 OCT. 7, 2018
- rev 3 ADDED R66, NOTE, EXPORT JUNE 25, 2018
- rev 2 ADDED F2, F3, F4 JUNE 17, 2015
- rev 1 ADDED C38, CHG'D T1 APR. 29, 2013
- rev 0 PRODUCTION RELEASE FEB. 18, 2013

TWILIGHTER MAIN PCB/CHASSIS	
TITLE: Twilighter	
Document Number:	REV: 6
Date: 9/30/2020 1:52:17 PM	Sheet: 1/2



NOTE: FOR HEAD VERSION SHORT J4 TIP SWITCH TO SLEEVE

T1 WIRING
 PRIMARY
 100V WHITE
 120V BROWN
 220V BLUE
 230V GRAY
 240V ORANGE

- rev 6 ADDED TEST POINTS SEPT. 30, 2020
- rev 5 ADDED FIL. EYELETS JAN. 9, 2019
- rev 4 CHG'D J7, J8; PLACED R66 OCT. 7, 2018
- rev 3 ADDED R66, NOTE, EXPORT JUNE 25, 2018
- rev 2 ADDED F2, F3, F4 JUNE 17, 2015
- rev 1 ADDED C38, CHG'D T1 APR. 29, 2013
- rev 0 PRODUCTION RELEASE FEB. 18, 2013

TWILIGHTER MAIN PCB/CHASSIS	
TITLE: Twilighter	
Document Number:	REV: 5
Date: 9/30/2020 1:52:17 PM	Sheet: 2/2