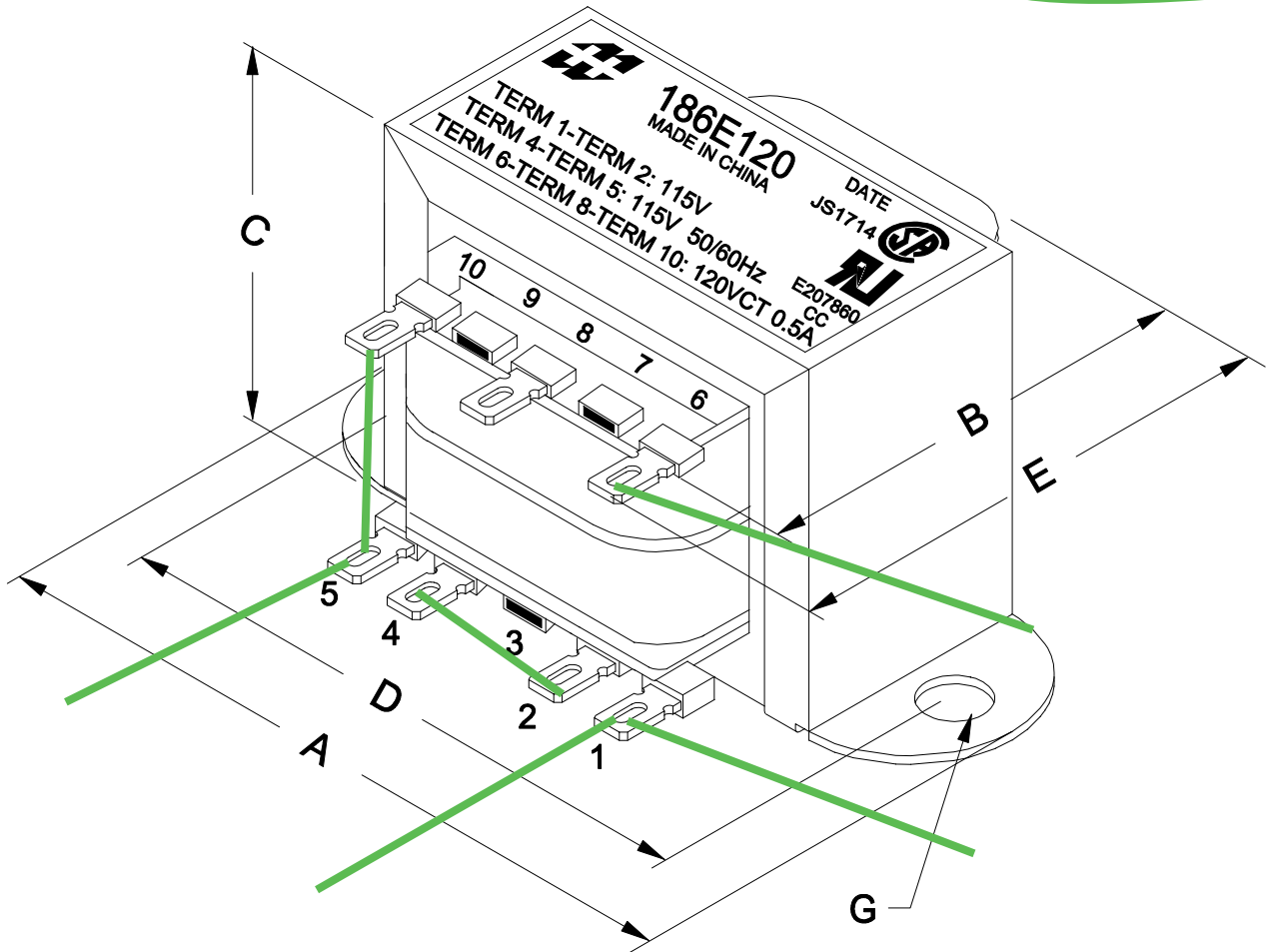
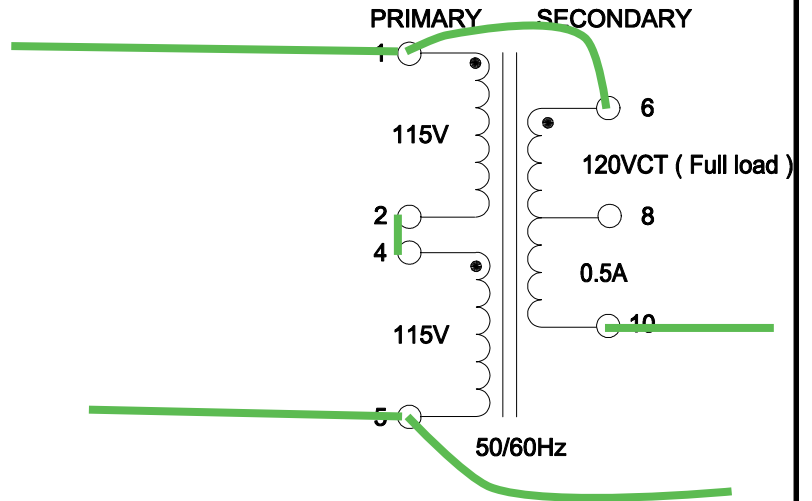


EDB186E120

DIMENSIONS:

A	3.688" ±0.063
B	1.850" ±0.125
C	2.308" ±0.063
D	3.125" ±0.063
E	2.209" ±0.125
G	0.187" ±0.015



HAMMOND MANUFACTURING™
 ELECTRONIC DIVISION
 52 RANKIN PLACE,
 WATERLOO, ONTARIO, N2J 3Z5
 PH # (519) 886-6181
 FAX # (519) 886-9540

TITLE

186E120

NO	DATE	REVISION	DWG. BY
0	03/31/11	RELEASED.	C.I. CORINA ILIE
			DATE
			03/31/11
			DIM IN()MM()

EDB186E120