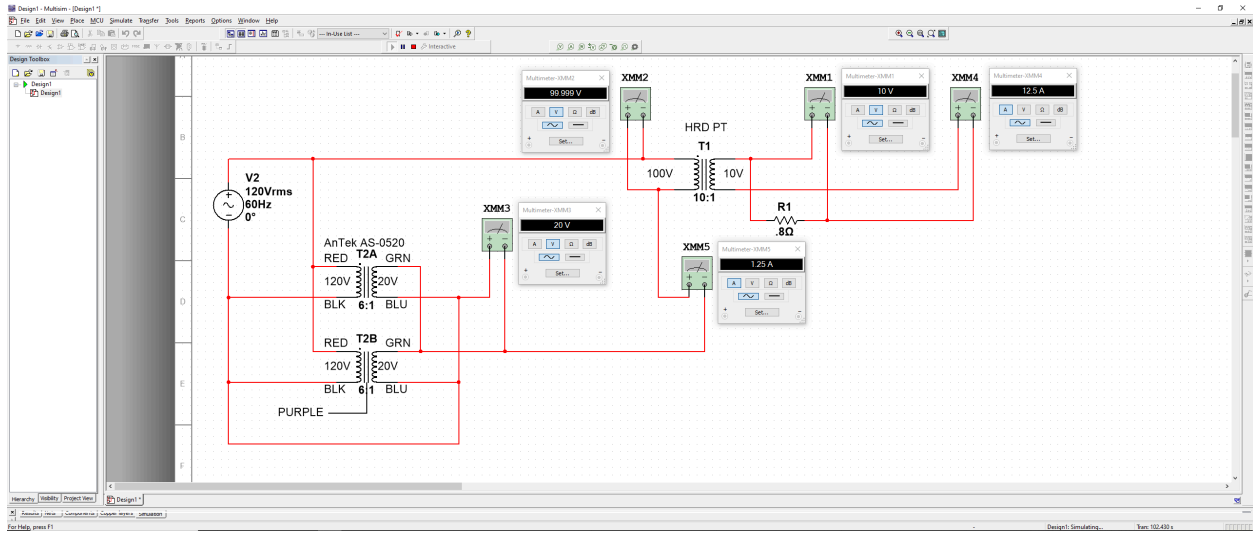
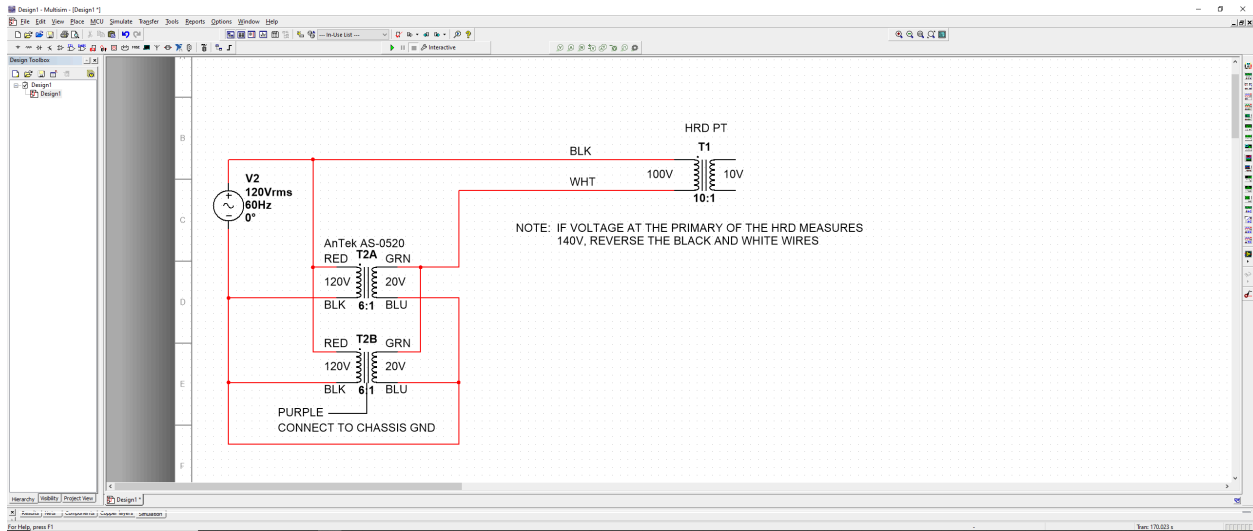


# ADD A BUCKING TRANSFORMER TO HRD EXPORT AMP

Shown with meters:



Without meters:



Link to AnTek Transformer: [<https://www.antekinc.com/as-0520-50va-20v-transformer/>]