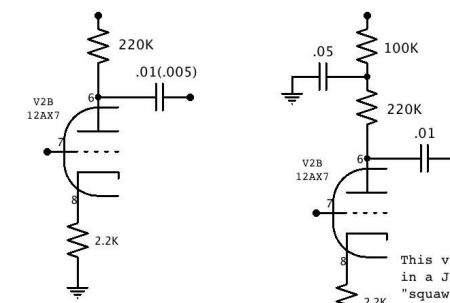


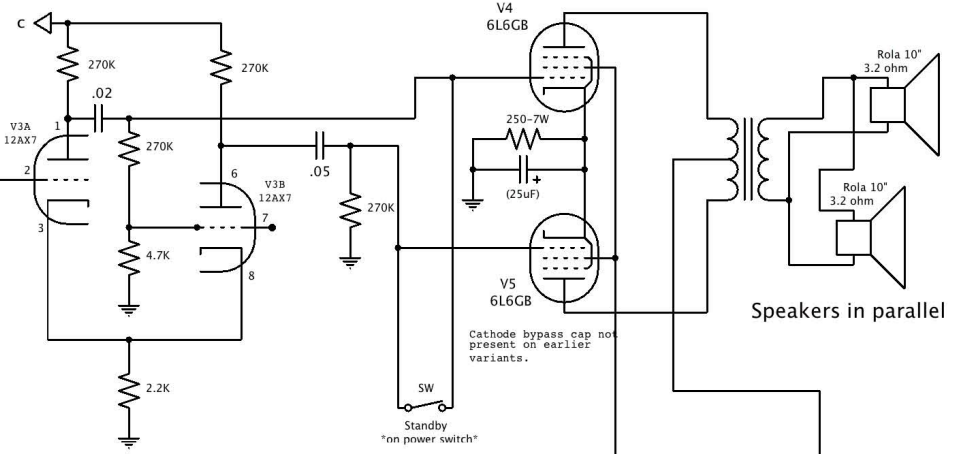
250K-L intensity pots were also used, without any resistor paralleled across the terminals.

All of the intensity pots I have seen have been wired backwards, i.e., greatest intensity when knob at lowest setting.

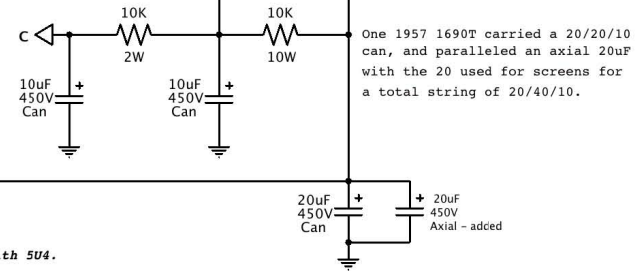
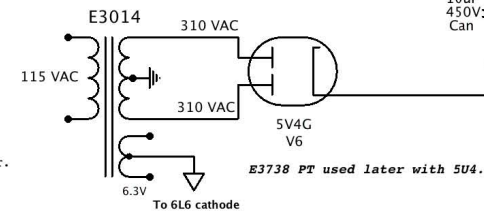
I have also seen a 500K-A pot used, with no resistor.



This variant of V2B has been seen in two 1957-dated 1690T amps. It is VERY aggressive and was used in conjunction with a 220K mix resistor on the opposite channel in order to keep gain under control.



The 1690T, 1615T and 1695T all share a very similar circuit, with most of the variable values noted herein covering the differences between the three amp models. The 1690T used (2) 3.2 ohm Rola 10" speakers, while the 1615T and 1695T utilized Rola or Jensen 15" speakers in 8 ohm with a 570-4 OT (8 ohm only). The Vega V70 amp (w/ 15" speaker) made by Valco was essentially a rebranded 1615T/1695T. Later models (post @1960) of these amps, and ALL Vega V70 amps, went to a 1K screen node dropping R and 6L6GC tubes. Some Vega V70 amps were labeled as well as specifically wired to use 7027 tubes. The white Oahu-branded 15" version is also virtually identical to the 1615T (it was marketed for accordion).



- (1) Some amps use the added axial 20uF on the screen node, rather than the plate node. Possible mistake, or safer for 5V4?
- (2) Values in parentheses are variations that have been documented. Parenthetical value ONLY indicates a variant known with component absent.
- (3) Output transformer is undersized and has a VERY high turns ratio to accommodate the nominal 1.6 ohm secondary load. Primary impedance is approximately 9K to 10K. (1690T only)
- (4) At least two different power transformers were utilized over time, the earlier being in the 600-630 VAC CT range (w/ 5V4), and a later variation of slightly increased secondary voltage. It would seem that these later PT were designed to run a 5U4 rectifier, as the chasses were then marked for 5U4 rather than the earlier 5V4. Higher secondary VAC due to the greater B+ drop of the 5U4; this would seem to be the reason for the change.

Supro 1690T (w/ variations)		
1615T and 1695T very similar.		
Eric Kettenburg	Rev 1.0 2013-10-23	DIRTY GIRL amps

